

MVME4100 Single Board Computer

Installation and Use

P/N: 6806800H18D

June 2010

© 2009 Emerson
All rights reserved.

Trademarks

Emerson, Business-Critical Continuity, Emerson Network Power and the Emerson Network Power logo are trademarks and service marks of Emerson Electric Co. © 2008 Emerson Electric Co. All other product or service names are the property of their respective owners.

Intel® is a trademark or registered trademark of Intel Corporation or its subsidiaries in the United States and other countries.

Java™ and all other Java-based marks are trademarks or registered trademarks of Sun Microsystems, Inc. in the U.S. and other countries.

Microsoft®, Windows® and Windows Me® are registered trademarks of Microsoft Corporation; and Windows XP™ is a trademark of Microsoft Corporation.

PowerPC is a trademark of IBM Corp. and used under license. FlashFX Tera™ is a trademark of Datalight, Inc..

PICMG®, CompactPCI®, AdvancedTCA™ and the PICMG, CompactPCI and AdvancedTCA logos are registered trademarks of the PCI Industrial Computer Manufacturers Group.

UNIX® is a registered trademark of The Open Group in the United States and other countries.

Notice

While reasonable efforts have been made to assure the accuracy of this document, Emerson assumes no liability resulting from any omissions in this document, or from the use of the information obtained therein. Emerson reserves the right to revise this document and to make changes from time to time in the content hereof without obligation of Emerson to notify any person of such revision or changes.

Electronic versions of this material may be read online, downloaded for personal use, or referenced in another document as a URL to a Emerson website. The text itself may not be published commercially in print or electronic form, edited, translated, or otherwise altered without the permission of Emerson,

It is possible that this publication may contain reference to or information about Emerson products (machines and programs), programming, or services that are not available in your country. Such references or information must not be construed to mean that Emerson intends to announce such Emerson products, programming, or services in your country.

Limited and Restricted Rights Legend

If the documentation contained herein is supplied, directly or indirectly, to the U.S. Government, the following notice shall apply unless otherwise agreed to in writing by Emerson.

Use, duplication, or disclosure by the Government is subject to restrictions as set forth in subparagraph (b)(3) of the Rights in Technical Data clause at DFARS 252.227-7013 (Nov. 1995) and of the Rights in Noncommercial Computer Software and Documentation clause at DFARS 252.227-7014 (Jun. 1995).

Contact Address

Emerson Network Power - Embedded Computing
2900 South Diablo Way, Suite 190
Tempe, AZ 85282/USA

Contents

About this Manual	11
Safety Notes	19
Sicherheitshinweise	23
1 Introduction	29
1.1 Features	29
1.2 Standard Compliances	32
1.3 Mechanical Data	34
1.4 Ordering Information	34
1.4.1 Supported Board Models	34
1.4.2 Board Accessories	34
1.4.3 Serial Number Label	35
2 Hardware Preparation and Installation	37
2.1 Overview	37
2.2 Unpacking and Inspecting the Board	38
2.3 Requirements	39
2.3.1 Environmental Requirements	39
2.3.2 Power Requirements	40
2.3.3 Thermal Requirements	41
2.3.4 Thermally Significant Components	41
2.3.5 Equipment Requirements	43
2.4 Configuring the Board	44
2.4.1 SMT Configuration Switch, S1	45
2.4.2 Geographical Address Switch, S2	46
2.5 Installing Accessories	48
2.5.1 Transition Module	48
2.5.2 PMC	49
2.5.3 XMCspan	52
2.6 Installing and Removing the Board	53
2.7 Completing the Installation	54
2.8 Factory Installed Linux	55

3	Controls, LEDs, and Connectors	57
3.1	Overview	57
3.2	Board Layout	58
3.3	Front Panel	59
3.3.1	Reset/Abort Switch	59
3.3.2	LEDs	60
3.3.3	Connectors	61
3.3.3.1	XMC Expansion Connector (J6)	62
3.3.3.2	Ethernet Connectors (J4A/J4B)	64
3.3.3.3	PCI Mezzanine Card (PMC) Connectors (J11 – J14, J21 – J23)	64
3.3.3.4	Serial Port Connector (COM1/J1)	74
3.3.3.5	USB Connector (J2)	74
3.3.3.6	VMEbus P1 Connector	75
3.3.3.7	VMEbus P2 Connector	76
3.4	Headers	77
3.4.1	Processor COP Header (P4)	78
3.4.2	Boundary Scan Header (P5)	78
4	Functional Description	81
4.1	Overview	81
4.2	Block Diagram	82
4.3	Processor	83
4.4	I2C Serial Interface and Devices	83
4.5	System Memory	84
4.6	Timers	84
4.7	Ethernet Interfaces	84
4.8	Local Bus Interface	85
4.8.1	Flash Memory	85
4.8.2	NVRAM	86
4.8.3	Quad UART (QUART)	86
4.8.4	Control and Timers PLD	86
4.9	DUART Interface	87
4.10	PCI-X Port	87
4.10.1	Tsi148 VME Controller	87
4.10.2	USB	87

4.11	XMC Expansion	88
4.12	Power Supplies	88
4.12.1	Power Sequencing	88
4.12.2	Power Supply Monitor	88
4.12.3	Power Supply Filtering and Fusing	88
4.13	Clock Distribution	89
4.13.1	System Clock	89
4.13.2	Real Time Clock Input	89
4.13.3	Local Bus Controller Clock Divisor	89
4.14	Reset Control Logic	89
4.15	Real Time Clock Battery	90
4.16	Debug Support	90
5	Transition Module	91
5.1	Overview	91
5.2	Transition Module Layout	92
5.3	Features	93
5.4	SEEPROM Address Switch, S1	94
5.5	Rear Panel Connectors	95
5.5.1	MVME7216E PMC I/O Module (PIM) Connectors (J10, J14)	97
5.5.2	Ethernet Connectors (GIGE/J41B, GIGE/J2B, GIGE/J2A)	99
5.5.3	Serial Port Connectors (COM1/J41A, COM2-COM5/J2A-D)	99
5.6	PMC Input/Output Module	100
6	MOTLoad Firmware	103
6.1	Overview	103
6.2	Implementation and Memory Requirements	103
6.3	MOTLoad Commands	103
6.3.1	Utilities	103
6.3.2	Tests	104
6.3.3	Command List	105
6.4	Using the Command Line Interface	110
6.4.1	Rules	112
6.4.2	Help	112

6.5	Firmware Settings	113
6.5.1	Default VME Settings	113
6.5.2	Control Register/Control Status Register Settings	117
6.5.3	Displaying VME Settings	117
6.5.4	Editing VME Settings	118
6.5.5	Deleting VME Settings	118
6.5.6	Restoring Default VME Settings	119
6.6	Remote Start	119
6.7	Boot Images	120
6.7.1	Checksum Algorithm	121
6.7.2	Image Flags	122
6.7.3	User Images	123
6.7.4	Alternate Boot Data Structure	123
6.7.5	Alternate Boot Images and Safe Start	124
6.7.6	Boot Image Firmware Scan	124
6.8	Startup Sequence	125
A	Battery Exchange	127
A.1	Battery Exchange	127
B	Related Documentation	129
B.1	Emerson Network Power - Embedded Computing Documents	129
B.2	Manufacturers' Documents	129
B.3	Related Specifications	132
	Index	135

List of Tables

Table 1-1	Features List	29
Table 1-2	Board Standard Compliances	32
Table 1-3	Mechanical Data	34
Table 1-4	Board Variants	34
Table 2-1	Startup Overview	37
Table 2-2	MVME4100 Specifications	39
Table 2-3	Power Requirements	40
Table 2-4	Thermally Significant Components	41
Table 2-5	Configuration Switch Settings (S1)	46
Table 2-6	Geographical Address Switch Settings	47
Table 3-1	Front Panel LEDs	60
Table 3-2	Base Board Connectors	61
Table 3-3	XMC Expansion Connector (J6) Pin Assignments	62
Table 3-4	Ethernet Connectors (J4A/J4B) Pin Assignments	64
Table 3-5	PMC Slot 1 Connector (J11) Pin Assignments	64
Table 3-6	PMC Slot 1 Connector (J12) Pin Assignments	66
Table 3-7	PMC Slot 1 Connector (J13) Pin Assignments	67
Table 3-8	PMC Slot 1 Connector (J14) Pin Assignments	68
Table 3-9	PMC Slot 2 Connector (J21) Pin Assignments	70
Table 3-10	PMC Slot 2 Connector (J22) Pin Assignments	71
Table 3-11	PMC Slot 2 Connector (J23) Pin Assignments	72
Table 3-12	COM1 Port Connector Pin Assignments	74
Table 3-13	USB Connector (J2) Pin Assignments	74
Table 3-14	VMEbus P1 Connector Pin Assignments	75
Table 3-15	VME P2 Connector Pinouts	76
Table 3-16	Processor COP Header (P4) Pin Assignments	78
Table 3-17	Boundary Scan Header (P5) Pin Assignments	78
Table 4-1	Clock Frequencies	89
Table 5-1	Transition Module Features	93
Table 5-2	SEEPROM Address Switch Assignments (RTM)	94
Table 5-3	Switch Settings and Device Addresses	94
Table 5-4	Transition Module Connectors	95
Table 5-5	Transition Module LEDs	97
Table 5-6	MVME721 Host I/O Connector (J10) Pin Assignments	97
Table 5-7	Ethernet Connectors Pin Assignment	99
Table 5-8	COM Port Connector Pin Assignments	99

List of Tables

Table 6-1	MOTLoad Commands	105
Table 6-2	MOTLoad Image Flags	122
Table B-1	Emerson Network Power - Embedded Computing Publications	129
Table B-2	Manufacturer's Publications	129
Table B-3	Related Specifications	132

List of Figures

Figure 1-1	Declaration of Conformity	33
Figure 1-2	Serial Number Label Location	35
Figure 2-1	Primary Side Thermally Significant Components	42
Figure 2-2	Secondary Side Thermally Significant Components	43
Figure 2-3	Switch Locations	44
Figure 2-4	SMT Configuration Switch Position	45
Figure 2-5	Geographical Address Switch Position	47
Figure 2-6	Typical Placement of a PMC Module on a VME Module	52
Figure 3-1	Component Layout	58
Figure 3-2	Front Panel LEDs, Connectors, Switch	59
Figure 4-1	Block Diagram	82
Figure 5-1	Component Layout	92
Figure 5-2	Block Diagram	93
Figure 5-3	S1 Switch Positions	94
Figure 5-4	Rear Panel Connectors and LEDs	96
Figure 5-5	Installing the PIM	101
Figure A-1	Battery Location	127

About this Manual

Overview of Contents

This manual provides the information required to install and configure an MVME4100 Single Board Computer. Additionally, this manual provides specific preparation and installation information and data applicable to the board.

The MVME4100 single-board computer, with the Freescale MPC8548E system-on-chip (SoC) processor, provides a high-performance, cost-effective continuation for currently deployed VME infrastructure.

This manual is divided into the following chapters and appendices:

Safety Notes, contains the cautions and warnings applicable to the use of this product.

Sicherheitshinweise, contains the cautions and warnings applicable to the use of this product translated to the German language.

Chapter 1, Introduction, lists the features of the MVME4100 base board, standard compliances, and model numbers for boards and accessories.

Chapter 2, Hardware Preparation and Installation, includes a description of the MVME4100, unpacking instructions, environmental, thermal, and power requirements, and how to prepare and install the base board, transition module, and PMC module.

Chapter 3, Controls, LEDs, and Connectors, provides an illustration of the board components and front panel details. This chapter also gives descriptions for the onboard and front panel LEDs and connectors.

Chapter 4, Functional Description, describes the major features of the MVME4100 base board. These descriptions include both programming and hardware characteristics of major components.

Chapter 5, Transition Module, describes the MVME7216E transition module used with the MVME4100.

Chapter 6, MOTLoad Firmware, describes the role, process and commands employed by the MVME4100 diagnostic and initialization firmware MOTLoad. This chapter also briefly describes how to use the debugger commands.

Appendix A, Battery Exchange, describes the procedure for replacing a battery.

Appendix B, *Related Documentation*, provides listings for publications, manufacturer's documents and related industry specification for this product.

Abbreviations

This document uses the following abbreviations:

Term	Meaning
A	Ampere
A/D	Analog/Digital
ANSI	American National Standard Institute
ASIC	Application Specific Integrated Circuit
BGA	Ball Grid Array
BLT	Block Transfer
CCB	Core Complex Bus
CE	Chip Enable
CFM	Cubic Feet per Minute
CHRP	(PowerPC) Common Hardware Reference Platform
CMC	Common Mezzanine Card
COM	Communications
COP	Common On-chip Processor
COTS	Commercial-Off-the-Shelf
CPU	Central Processing Unit
CRC	Cyclic Redundancy Check
DDR	Double Data Rate
°C	Degree Celsius
DLL	Delay-Locked Loop
DMA	Direct Memory Access
DRAM	Dynamic Random Access Memory
DUART	Dual Universal Asynchronous Receiver/Transmitter

Term	Meaning
ECC	Error Correction Code
EEPROM	Electrically Erasable Programmable Read-Only Memory
EPROM	Erasable Programmable Read-Only Memory
FCC	Federal Communications Commission
FEC	Fast Ethernet Controller
FIFO	First In First Out
F/W	Firmware
fpBGA	Flip chip Plastic Ball Grid Array
GB	Gigabytes
Gbit	Gigabit
Gbps	Gigabits Per Second
GMI	Gigabit Media Independent Interface
GPCM	General Purpose Chip select Machine
GPR	General Purpose Register
H/W	Hardware
ID	Identification
IDMA	Independent Direct Memory Access
I/O	Input/Output
IEEE	Institute of Electrical and Electronics Engineers
I2C	Inter IC
JTAG	Joint Test Access Group
KB	Kilobytes
KBAUD	Kilo Baud
LBC	Local Bus Controller
LCD	Liquid Crystal Display
LED	Light Emitting Diode
LSB	Least Significant Byte
MB	Megabytes




Term	Meaning
Mbit	Megabit
MBLT	Multiplexed Block Transfer
Mbps	Megabits Per Second
MHz	Megahertz
MII	Media Independent Interface
MSB	Most Significant Byte
Msb	Most Significant Bit
MTBF	Mean Time Between Failure
NAND	(Not and) Flash that is used for storage
NOR	(Not or) Flash that is used for executing code
OS	Operating System
PBGA	Plastic Ball Grid Array
PCI	Peripheral Component Interconnect
PCI-X	Peripheral Component Interconnect -X
PIC	Programmable Interrupt Controller
PIM	PCI Mezzanine Card Input/Output Module
PMC	PCI Mezzanine Card (IEEE P1386.1)
PLD	Programmable Logic Device
PLL	Phase-Locked Loop
POR	Power-On Reset
Ppm	Parts Per Million
PRD	Product Requirements Document
PReP	PowerPC Reference Platform
PrPMC	Processor PCI Mezzanine Card
QUART	Quad Universal Asynchronous Receiver/Transmitter
RAM	Random Access Memory
Rcv	Receive
RGMII	Reduced Gigabit Media Independent Interface

Term	Meaning
ROM	Read-Only Memory
RTBI	Reduced Ten Bit Interface
RTC	Real-Time Clock
RTM	Rear Transition Module
sATA	Serial AT Attachment
SBC	Single Board Computer
SDRAM	Synchronous Dynamic Random Access Memory
SMT	Surface Mount Technology
SODIMM	Small-Outline Dual In-line Memory Module
SPD	Serial Presence Detect
SoC	System-on-Chip
SRAM	Static Random Access Memory
S/W	Software
TBI	Ten Bit Interface
TSEC	Three-Speed Ethernet Controller
2eSST	Two edge Source Synchronous Transfer
UART	Universal Asynchronous Receiver/Transmitter
USB	Universal Serial Bus
V	Volts
VIO	Input/Output Voltage
VITA	VMEbus International Trade Association
VME	VMEbus (Versa Module Eurocard)
VPD	Vital Product Data
W	Watts
Xmit	Transmit

Conventions

The following table describes the conventions used throughout this manual.

Notation	Description
0x00000000	Typical notation for hexadecimal numbers (digits are 0 through F), for example used for addresses and offsets
0b0000	Same for binary numbers (digits are 0 and 1)
bold	Used to emphasize a word
Screen	Used for on-screen output and code related elements or commands in body text
Courier + Bold	Used to characterize user input and to separate it from system output
<i>Reference</i>	Used for references and for table and figure descriptions
File > Exit	Notation for selecting a submenu
<text>	Notation for variables and keys
[text]	Notation for software buttons to click on the screen and parameter description
...	Repeated item for example node 1, node 2, ..., node 12
.	Omission of information from example/command that is not necessary at the time being
..	Ranges, for example: 0..4 means one of the integers 0,1,2,3, and 4 (used in registers)
	Logical OR

Notation	Description
 WARNING XX XX XX	Indicates a hazardous situation which, if not avoided, could result in death or serious injury
 CAUTION XX XX XX	Indicates a hazardous situation which, if not avoided, may result in minor or moderate injury
NOTICE XX XX XX	Indicates a property damage message
 XX XX	No danger encountered. Pay attention to important information

Summary of Changes

Part Number	Publication Date	Description
6806800H18A	January 2009	Early access version
6806800H18B	April 2009	Update for final release, updated table "Feature List", added "Declaration of Conformity", added section "Serial Number Label", added weight of the board to section "Mechanical Data", updated power requirements, added location of thermally significant components, updated graphic of switch location, updated connector pinouts, updated block diagram, updated description of SEEPROM address switch, editorial changes
6806800H18C	June 2009	Corrected typo in section "Power Requirements"
6806800H18D	June 2010	Minor updates to Table 1-1, "Features List" Updated section <i>3.3.3 Connectors</i> on page 61 and <i>5.5 Rear Panel Connectors</i> on page 95

Comments and Suggestions

We welcome and appreciate your comments on our documentation. We want to know what you think about our manuals and how we can make them better.

Mail comments to us by filling out the following online form:

<http://www.emersonnetworkpowerembeddedcomputing.com/> > Contact Us > Online Form

In "Area of Interest" select "Technical Documentation". Be sure to include the title, part number, and revision of the manual and tell us how you used it.

Safety Notes

This section provides warnings that precede potentially dangerous procedures throughout this manual. Instructions contained in the warnings must be followed during all phases of operation, service, and repair of this equipment. You should also employ all other safety precautions necessary for the operation of the equipment in your operating environment. Failure to comply with these precautions or with specific warnings elsewhere in this manual could result in personal injury or damage to the equipment.

Emerson intends to provide all necessary information to install and handle the product in this manual. Because of the complexity of this product and its various uses, we do not guarantee that the given information is complete. If you need additional information, ask your Emerson representative.

The product has been designed to meet the standard industrial safety requirements. It must not be used except in its specific area of office telecommunication industry and industrial control.

Only personnel trained by Emerson or persons qualified in electronics or electrical engineering are authorized to install, remove or maintain the product.

The information given in this manual is meant to complete the knowledge of a specialist and must not be used as replacement for qualified personnel.

Keep away from live circuits inside the equipment. Operating personnel must not remove equipment covers. Only factory authorized service personnel or other qualified service personnel may remove equipment covers for internal subassembly or component replacement or any internal adjustment.

Do not install substitute parts or perform any unauthorized modification of the equipment or the warranty may be voided. Contact your local Emerson representative for service and repair to make sure that all safety features are maintained.

EMC

This equipment has been tested and found to comply with the limits for a Class A digital device, pursuant to Part 15 of the FCC Rules. These limits are designed to provide reasonable protection against harmful interference when the equipment is operated in a commercial environment. This equipment generates, uses, and can radiate radio frequency energy and, if not installed and used in accordance with the instruction manual, may cause harmful interference to radio communications.

Operation of this equipment in a residential area is likely to cause harmful interference in which case the user will be required to correct the interference at his own expense. Changes or modifications not expressly approved by Emerson Network Power could void the user's authority to operate the equipment. Board products are tested in a representative system to show compliance with the above mentioned requirements. A proper installation in a compliant system will maintain the required performance. Use only shielded cables when connecting peripherals to assure that appropriate radio frequency emissions compliance is maintained.

Installation

Data Loss

Powering down or removing a board before the operating system or other software running on the board has been properly shut down may cause corruption of data or file systems. Make sure all software is completely shut down before removing power from the board or removing the board from the chassis.

Product Damage

Only use injector handles for board insertion to avoid damage to the front panel and/or PCB. Deformation of the front panel can cause an electrical short or other board malfunction.

Product Damage

Inserting or removing modules with power applied may result in damage to module components. Before installing or removing additional devices or modules, read the documentation that came with the product.

Operation

Product Damage

High humidity and condensation on the board surface causes short circuits. Do not operate the board outside the specified environmental limits. Make sure the board is completely dry and there is no moisture on any surface before applying power.

Damage of Circuits

Electrostatic discharge and incorrect installation and removal can damage circuits or shorten their life.

Before touching the board or electronic components, make sure that you are working in an ESD-safe environment.

Board Malfunction

Switches marked as "reserved" might carry production-related functions and can cause the board to malfunction if their setting is changed.

Do not change settings of switches marked as "reserved". The setting of switches which are not marked as "reserved" has to be checked and changed before board installation.

Cabling and Connectors

Product Damage

RJ-45 connectors on modules are either twisted-pair Ethernet (TPE) or E1/T1/J1 network interfaces. Connecting an E1/T1/J1 line to an Ethernet connector may damage your system.

- Make sure that TPE connectors near your working area are clearly marked as network connectors.
- Verify that the length of an electric cable connected to a TPE bushing does not exceed 100 m.
- Make sure the TPE bushing of the system is connected only to safety extra low voltage circuits (SELV circuits).

If in doubt, ask your system administrator.

Battery

Board/System Damage

Incorrect exchange of lithium batteries can result in a hazardous explosion.

When exchanging the on-board lithium battery, make sure that the new and the old battery are exactly the same battery models.

If the respective battery model is not available, contact your local Emerson sales representative for the availability of alternative, officially approved battery models.

Data Loss

Exchanging the battery can result in loss of time settings. Backup power prevents the loss of data during exchange.

Quickly replacing the battery may save time settings.

Data Loss

If the battery has low or insufficient power the RTC is initialized.

Exchange the battery before seven years of actual battery use have elapsed.

PCB and Battery Holder Damage

Removing the battery with a screw driver may damage the PCB or the battery holder. To prevent damage, do not use a screw driver to remove the battery from its holder.

Environment

Always dispose of used batteries, boards, and RTMs according to your country's legislation and manufacturer's instructions.

Dieses Kapitel enthält Hinweise, die potentiell gefährlichen Prozeduren innerhalb dieses Handbuchs vorrangestellt sind. Beachten Sie unbedingt in allen Phasen des Betriebs, der Wartung und der Reparatur des Systems die Anweisungen, die diesen Hinweisen enthalten sind. Sie sollten außerdem alle anderen Vorsichtsmaßnahmen treffen, die für den Betrieb des Produktes innerhalb Ihrer Betriebsumgebung notwendig sind. Wenn Sie diese Vorsichtsmaßnahmen oder Sicherheitshinweise, die an anderer Stelle dieses Handbuchs enthalten sind, nicht beachten, kann das Verletzungen oder Schäden am Produkt zur Folge haben.

Emerson ist darauf bedacht, alle notwendigen Informationen zum Einbau und zum Umgang mit dem Produkt in diesem Handbuch bereit zu stellen. Da es sich jedoch um ein komplexes Produkt mit vielfältigen Einsatzmöglichkeiten handelt, können wir die Vollständigkeit der im Handbuch enthaltenen Informationen nicht garantieren. Falls Sie weitere Informationen benötigen sollten, wenden Sie sich bitte an die für Sie zuständige Geschäftsstelle von Emerson.

Das System erfüllt die für die Industrie geforderten Sicherheitsvorschriften und darf ausschließlich für Anwendungen in der Telekommunikationsindustrie und im Zusammenhang mit Industriesteuerungen verwendet werden.

Einbau, Wartung und Betrieb dürfen nur von durch Emerson ausgebildetem oder im Bereich Elektronik oder Elektrotechnik qualifiziertem Personal durchgeführt werden. Die in diesem Handbuch enthaltenen Informationen dienen ausschließlich dazu, das Wissen von Fachpersonal zu ergänzen, können dieses jedoch nicht ersetzen.

Halten Sie sich von stromführenden Leitungen innerhalb des Produktes fern. Entfernen Sie auf keinen Fall Abdeckungen am Produkt. Nur werksseitig zugelassenes Wartungspersonal oder anderweitig qualifiziertes Wartungspersonal darf Abdeckungen entfernen, um Komponenten zu ersetzen oder andere Anpassungen vorzunehmen.

Installieren Sie keine Ersatzteile oder führen Sie keine unerlaubten Veränderungen am Produkt durch, sonst verfällt die Garantie. Wenden Sie sich für Wartung oder Reparatur bitte an die für Sie zuständige Geschäftsstelle von Emerson. So stellen Sie sicher, dass alle sicherheitsrelevanten Aspekte beachtet werden.

EMV

Das Produkt wurde in einem Emerson Standardsystem getestet. Es erfüllt die für digitale Geräte der Klasse A gültigen Grenzwerte in einem solchen System gemäß den FCC-Richtlinien Abschnitt 15 bzw. EN 55022 Klasse A. Diese Grenzwerte sollen einen angemessenen Schutz vor Störstrahlung beim Betrieb des Produktes in Gewerbe- sowie Industriegebieten gewährleisten.

Das Produkt arbeitet im Hochfrequenzbereich und erzeugt Störstrahlung. Bei unsachgemäßem Einbau und anderem als in diesem Handbuch beschriebenen Betrieb können Störungen im Hochfrequenzbereich auftreten.

Wird das Produkt in einem Wohngebiet betrieben, so kann dies mit großer Wahrscheinlichkeit zu starken Störungen führen, welche dann auf Kosten des Produktanwenders beseitigt werden müssen. Änderungen oder Modifikationen am Produkt, welche ohne ausdrückliche Genehmigung von Emerson Network Power durchgeführt werden, können dazu führen, dass der Anwender die Genehmigung zum Betrieb des Produktes verliert. Boardprodukte werden in einem repräsentativen System getestet, um zu zeigen, dass das Board den oben aufgeführten EMV-Richtlinien entspricht. Eine ordnungsgemäße Installation in einem System, welches die EMV-Richtlinien erfüllt, stellt sicher, dass das Produkt gemäß den EMV-Richtlinien betrieben wird. Verwenden Sie nur abgeschirmte Kabel zum Anschluss von Zusatzmodulen. So ist sichergestellt, dass sich die Aussendung von Hochfrequenzstrahlung im Rahmen der erlaubten Grenzwerte bewegt.

Warnung! Dies ist eine Einrichtung der Klasse A. Diese Einrichtung kann im Wohnbereich Funkstörungen verursachen. In diesem Fall kann vom Betreiber verlangt werden, angemessene Maßnahmen durchzuführen.

Installation

Datenverlust

Das Herunterfahren oder die Deinstallation eines Boards bevor das Betriebssystem oder andere auf dem Board laufende Software ordnungsgemäß beendet wurde, kann zu partiellem Datenverlust sowie zu Schäden am Filesystem führen.

Stellen Sie sicher, dass sämtliche Software auf dem Board ordnungsgemäß beendet wurde, bevor Sie das Board herunterfahren oder das Board aus dem Chassis entfernen.

Beschädigung des Produktes

Fehlerhafte Installation des Produktes kann zu einer Beschädigung des Produktes führen. Verwenden Sie die Handles, um das Produkt zu installieren/deinstallieren. Auf diese Weise vermeiden Sie, dass das Front Panel oder die Platine deformiert oder zerstört wird.

Beschädigung des Produktes und von Zusatzmodulen

Fehlerhafte Installation von Zusatzmodulen, kann zur Beschädigung des Produktes und der Zusatzmodule führen.

Lesen Sie daher vor der Installation von Zusatzmodulen die zugehörige Dokumentation.

Betrieb

Beschädigung des Produktes

Hohe Luftfeuchtigkeit und Kondensat auf der Oberfläche des Produktes können zu Kurzschlüssen führen.

Betreiben Sie das Produkt nur innerhalb der angegebenen Grenzwerte für die relative Luftfeuchtigkeit und Temperatur. Stellen Sie vor dem Einschalten des Stroms sicher, dass sich auf dem Produkt kein Kondensat befindet.

Beschädigung von Schaltkreisen

Elektrostatische Entladung und unsachgemäßer Ein- und Ausbau des Produktes kann Schaltkreise beschädigen oder ihre Lebensdauer verkürzen.

Bevor Sie das Produkt oder elektronische Komponenten berühren, vergewissern Sie sich, dass Sie in einem ESD-geschützten Bereich arbeiten.

Fehlfunktion des Produktes

Schalter, die mit "Reserved" gekennzeichnet sind, können mit produktionsrelevanten Funktionen belegt sein. Das Ändern dieser Schalter kann im normalen Betrieb Störungen auslösen.

Verstellen Sie nur solche Schalter, die nicht mit "Reserved" gekennzeichnet sind. Prüfen und ggf. ändern Sie die Einstellungen der nicht mit "Reserved" gekennzeichneten Schalter, bevor Sie das Produkt installieren.

Kabel und Stecker

Beschädigung des Produktes

Bei den RJ-45-Steckern, die sich an dem Produkt befinden, handelt es sich entweder um Twisted-Pair-Ethernet (TPE) oder um E1/T1/J1-Stecker. Beachten Sie, dass ein versehentliches Anschließen einer E1/T1/J1-Leitung an einen TPE-Stecker das Produkt zerstören kann.

- Kennzeichnen Sie deshalb TPE-Anschlüsse in der Nähe Ihres Arbeitsplatzes deutlich als Netzwerkanschlüsse.
- Stellen Sie sicher, dass die Länge eines mit Ihrem Produkt verbundenen TPE-Kabels 100 m nicht überschreitet.
- Das Produkt darf über die TPE-Stecker nur mit einem Sicherheits-Kleinspannungs-Stromkreis (SELV) verbunden werden.

Bei Fragen wenden Sie sich an Ihren Systemverwalter.

Batterie

Beschädigung des Blades

Ein unsachgemäßer Einbau der Batterie kann gefährliche Explosionen und Beschädigungen des Blades zur Folge haben.

Verwenden Sie deshalb nur den Batterietyp, der auch bereits eingesetzt wurde und befolgen Sie die Installationsanleitung.

Datenverlust

Wenn Sie die Batterie austauschen, können die Zeiteinstellungen verloren gehen. Eine Backupversorgung verhindert den Datenverlust während des Austauschs.

Wenn Sie die Batterie schnell austauschen, bleiben die Zeiteinstellungen möglicherweise erhalten.

Datenverlust

Wenn die Batterie wenig oder unzureichend mit Spannung versorgt wird, wird der RTC initialisiert.

Tauschen Sie die Batterie aus, bevor sieben Jahre tatsächlicher Nutzung vergangen sind.

Schäden an der Platine oder dem Batteriehalter

Wenn Sie die Batterie mit einem Schraubendreher entfernen, können die Platine oder der Batteriehalter beschädigt werden.

Um Schäden zu vermeiden, sollten Sie keinen Schraubendreher zum Ausbau der Batterie verwenden.

Umweltschutz

Entsorgen Sie alte Batterien und/oder Boards/RTMs stets gemäß der in Ihrem Land gültigen Gesetzgebung und den Empfehlungen des Herstellers.

Introduction

1.1 Features

The MVME4100 Single Board Computer is a VMEbus board based on the MPC8548E Integrated Processor. It is a full 6U board and occupies a single VME card slot with PMC cards installed. The MVME4100 is compliant with the VITA standards VMEbus, 2eSST, and PCI-X as listed in [Appendix B, Related Documentation](#).

Target applications for this board are medical imaging, industrial control, radar/sonar, and test and measure.

Table 1-1 Features List

Function	Features
Processor / Host Controller / Memory Controller	<ul style="list-style-type: none"> One MPC8548E Integrated Processor One e500 core with integrated L2 Core frequency of 1.3 GHz One integrated four channel DMA controller One integrated PCI-E interface One integrated PCI-X interface Four integrated 10/100/1000 Ethernet controllers One integrated DUART Two integrated I²C controllers One integrated Programmable Interrupt Controller One integrated Local Bus Controller One integrated DDR2 SDRAM controller
System Memory	<ul style="list-style-type: none"> One DDR2 SO-CDIMM for SDRAM with ECC 2 GBytes Up to DDR533
I ² C	<ul style="list-style-type: none"> One 8 KB VPD serial EEPROM Two 64 KB user configuration serial EEPROMs One Real Time Clock (RTC) with removable battery Dual temperature sensor One SPD for memory on SO-CDIMM Connection to XMCspan and rear transition module

Table 1-1 Features List (continued)

Function	Features
Flash	128 MB soldered NOR flash with two alternate 1 MB boot sectors selectable via hardware switch H/W switch or S/W bit write protection for entire logical bank 4 GB NAND flash
NVRAM	One 512 KB MRAM
PCI_E	8X Port to XMC Expansion
I/O	One front panel mini DB-9 connector for front I/O: one serial channel Two front panel RJ-45 connectors with integrated LEDs for front I/O: two 10/100/1000 Ethernet channels One front panel USB Type A upright receptacle for front I/O: one USB 2.0 channel PMC site 1 front I/O and rear P2 I/O PMC site 2 front I/O
USB	One four-channel USB 2.0 controller: one channel for front panel I/O
Ethernet	Four 10/100/1000 MPC8548E Ethernet channels: two front panel Ethernet connectors and two channels for rear P2 I/O
Serial Interface	One 16550-compatible, 9.6 to 115.2 Kbaud, MPC8548E, asynchronous serial channel: one channel for front panel I/O One quad UART (QUART) controller to provide four 16550-compatible, 9.6 to 115.2 Kbaud, asynchronous serial channels: four channels for rear P2 I/O
Timers	Four 32-bit MPC8548E timers Four 32-bit timers in a PLD
Watchdog Timer	One watchdog timer in PLD

Table 1-1 Features List (continued)

Function	Features
VME Interface	<p>VME64 (ANSI/VITA 1-1994) compliant (3 row backplane 96-pin VME connector)</p> <p>VME64 Extensions (ANSI/VITA 1.1-1997) compliant (5 row backplane 160-pin VME connector)</p> <p>2eSST (ANSI/VITA 1.5-2003) compliant</p> <p>ANSI/VITA 1.7-2003 compliant (Increased Current Level for 96 pin & 160 pin DIN/IEC Connector Standard)</p> <p>VITA 41.0, version 0.9 compliant</p> <p>Two five-row P1 and P2 backplane connectors</p> <p>One Tsi148 VMEbus controller</p>
Form Factor	Standard 6U VME, one slot
Miscellaneous	<p>One front panel RESET/ABORT switch</p> <p>Six front panel status indicators:</p> <ul style="list-style-type: none"> ● Two 10/100/1000 Ethernet link/speed and activity (4 total) ● Board fail ● User S/W controlled LED <p>Planar status indicators</p> <p>One standard 16-pin COP header</p> <p>One standard 20-pin JTAG header</p> <p>Boundary scan support</p> <p>Switches for VME geographical addressing in a three-row backplane</p>
Software Support	<p>VxWorks OS support</p> <p>Linux OS support</p>

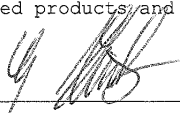


1.2 Standard Compliances

The MVME4100 is designed to be CE compliant and to meet the following standard requirements.

Table 1-2 Board Standard Compliances

Standard	Description
UL 60950-1 EN 60950-1 IEC 60950-1 CAN/CSA C22.2 No 60950-1	Safety Requirements (legal)
CISPR 22 CISPR 24 EN 55022 EN 55024 FCC Part 15 Industry Canada ICES-003 VCCI Japan AS/NZS CISPR 22 EN 300 386 NEBS Standard GR-1089 CORE	EMC requirements (legal) on system level (predefined Emerson system)
NEBS Standard GR-63-CORE ETSI EN 300 019 series	Environmental Requirements
Directive 2002/95/EC	Directive on the restriction of the use of certain hazardous substances in electrical and electronic equipment (RoHS)

Figure 1-1 Declaration of Conformity

EC Declaration of Conformity	
According to EN 45014:1998	
Manufacturer's Name:	Emerson Network Power Embedded Computing
Manufacturer's Address:	Emerson Network Power 104 Laguna Boulevard Laguna Technopark, Sta. Rosa Laguna 4026, Philippines
Declares that the following product, in accordance with the requirements of 2004/108/EC and amending directives,	
Product:	MVME4100 VMEbus Single Board Computer
Model Name/Number:	MVME4100-0171 & MVME4100-0173
has been designed and manufactured to the following specifications:	
EN55022: 2006	
EN55024: 1998 (A1:2001+A2:2003)	
As manufacturer we hereby declare that the product named above has been designed to comply with the relevant sections of the above referenced specifications. This product complies with the essential health and safety requirements of the above specified directives. We have an internal production control system that ensures compliance between the manufactured products and the technical documentation.	
 _____ Gerhard Heimlinger Quality Manager EMEA & APAJ	
Issue date: April 6, 2009	
	

1.3 Mechanical Data

This section provides details on the board's mechanical data.

Table 1-3 Mechanical Data

Characteristic	Value
Dimensions (D x W x H)	6U, 4HP wide, (233.4 mm x 160 mm x 19.8 mm)
Weight	0.453 kg

1.4 Ordering Information

When ordering board variants or board accessories, use the order numbers given in the following tables.

1.4.1 Supported Board Models

At the time of publication of this manual, the MVME4100 Single Board Computer is available in the configurations shown below.

Table 1-4 Board Variants

Marketing Number	Processor
MVME4100-0171	1.3 GHz MPC8548E, 4 GB NAND flash, 2 GB DDR2, Scanbe handles
MVME4100-0173	1.3 GHz MPC8548E, 4 GB NAND flash, 2 GB DDR2, IEEE handles

1.4.2 Board Accessories

This table lists the available expansion and transition modules for the MVME4100.

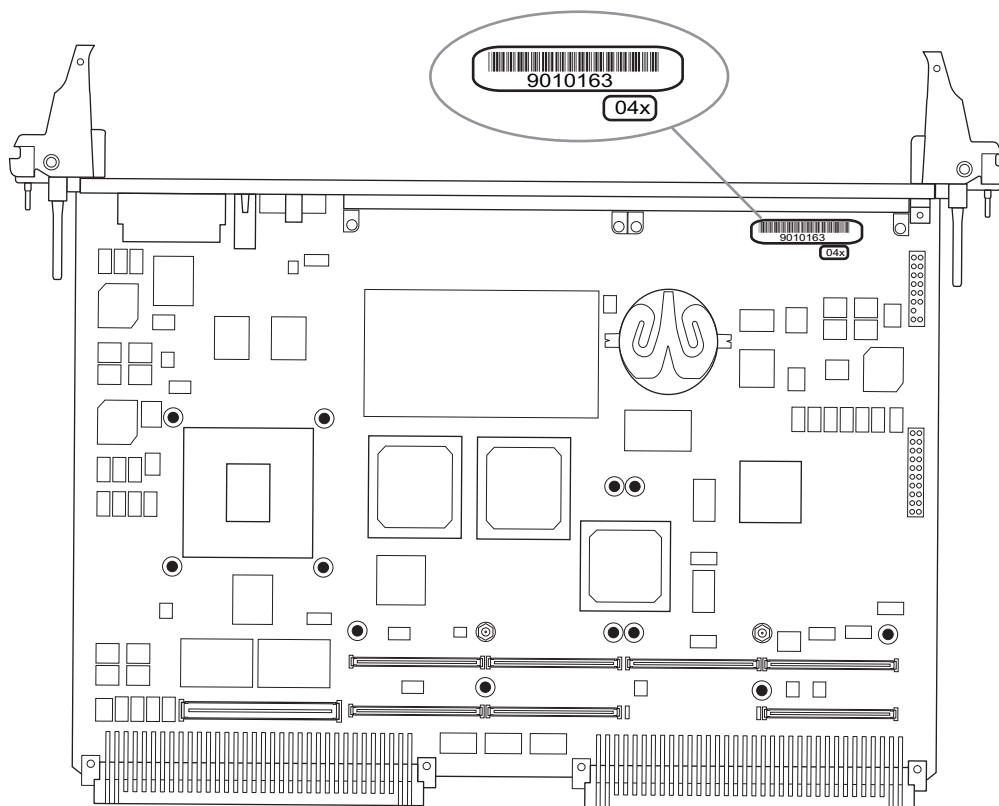
Model Number	Description
MVME7216E-001	Transition module, 6E
XMCSPAN-001	XMC Expansion, IEEE handles
XMCSPAN-002	XMC Expansion, Scanbe handles

The IPMC712 and IPMC761 I/O modules are not supported on the MVME4100.

1.4.3 Serial Number Label

You can find the serial number of your product on a label that is located on the PCB close to the front panel. The following figure shows a sample label and its location. The actual label on your product may vary in content and location.

Figure 1-2 Serial Number Label Location



Hardware Preparation and Installation

2.1 Overview

This chapter provides startup and safety instructions related to this product, hardware preparation instruction that includes default switch settings. System considerations and installation instructions for the base board, PMC, and transition module are also described in this chapter.

A fully implemented MVME4100 consists of the base board plus:

- Two single-wide or one double-wide PCI Mezzanine Card (PMC) slot for added versatility.
- One transition module for support of the mapped I/O from the MVME4100 base board to the P2 connector.
- Up to two optional XMCspan cards.

The following table lists the things you will need to do before you can use this board and tells you where to find the information you need to perform each step. Be sure to read this entire chapter, including all Caution and Warning notes, before you begin.

Table 2-1 Startup Overview

Task	Page
Unpack the hardware.	<i>Unpacking and Inspecting the Board on page 38</i>
Configure the hardware by setting jumpers on the board and RTM.	<i>Configuring the Board on page 44 and SEEPROM Address Switch, S1 on page 94</i>
Install the MVME7216E transition module in the chassis.	<i>Transition Module on page 48</i>
Install PMC module (if required).	<i>Installing Accessories on page 48</i>
Install XMCspan module (if required).	XMCspan Installation and Use manual (6806800H03)
Install the MVME4100 in the chassis.	<i>Installing and Removing the Board on page 53</i>
Attach cabling and apply power.	<i>Completing the Installation on page 54</i>
Install PIM on transition module (if required).	<i>PMC Input/Output Module on page 100</i>
Ensure that the firmware initializes the MVME4100	<i>Chapter 6, MOTLoad Firmware</i>
Initialize the board	<i>Chapter 6, MOTLoad Firmware</i>

Table 2-1 Startup Overview (continued)

Task	Page
Examine and/or change environmental parameters.	<i>MVME4100 Single Board Computer Programmer's Reference</i>
Program the board as needed for your applications.	<i>MVME4100 Single Board Computer Programmer's Reference</i>

2.2 Unpacking and Inspecting the Board

Read all notices and cautions prior to unpacking the product.

NOTICE

Damage of Circuits

Electrostatic discharge and incorrect installation and removal can damage circuits or shorten their life.

Before touching the board or electronic components, make sure that you are working in an ESD-safe environment.

Shipment Inspection

To inspect the shipment, perform the following steps:

1. Verify that you have received all items of your shipment.
2. Check for damage and report any damage or differences to customer service.
3. Remove the desiccant bag shipped together with the board and dispose of it according to your country's legislation.



The product is thoroughly inspected before shipment. If any damage occurred during transportation or any items are missing, contact customer service immediately.

2.3 Requirements

Make sure that the board, when operated in your particular system configuration, meets the requirements specified in the next sections.

2.3.1 Environmental Requirements

The following table lists the currently available specifications for the environmental characteristics of the MVME4100. A complete functional description of the MVME4100 base board appears in [Chapter 4, Functional Description](#).



Operating temperatures refer to the temperature of the air circulating around the board and not to the component temperature.

Table 2-2 MVME4100 Specifications

Characteristics	Operating	Nonoperating
Operating temperature	0 °C to +55 °C (32 °F to 131 °F) entry air with forced-air cooling	-40 °C to +85 °C (-40 °F to 185 °F)
Temperature change	+/-0.5 °C/min according to NEBS Standard GR-63-CORE	-
Relative humidity	5% to 90% noncondensing	5% to 90% noncondensing
Vibration	-	1 G sine sweep, 5-100 Hz, horizontal and vertical (NEBS1)
Shock	-	20 G peak (half sine) 11mSec
Free Fall	-	100 mm (unpackaged) per GR-63-CORE

NOTICE

Product Damage

High humidity and condensation on the board surface causes short circuits.

Do not operate the board outside the specified environmental limits.

Make sure the board is completely dry and there is no moisture on any surface before applying power.

2.3.2 Power Requirements

Up to 90 W (18 A at 5 V) of power can be supplied to the board in a 5-row backplane. 70 W (14 A at 5 V) can be supplied in a 3-row backplane. The board requires 18 W to 22 W (3.6 A to 4.4 A at 5 V) to operate. The remainder is available to the PMC site, but you have to make sure to not exceed 10 A (33 W) on 3.3 V.

The next table provides an estimate of the typical and maximum power required.

Table 2-3 Power Requirements

Board Variant	Power
MVME4100-0171	Typical: 18 W at +5 V Maximum: 22 W at +5 V
MVME4100-0173	Typical: 18 W at +5 V Maximum: 22 W at +5 V

The following table shows the power available when the MVME4100 is installed in either a 3-row or 5-row chassis and when PMCs are present.

Chassis Type	Available Power	Power With PMCs
3-Row	70 W maximum	Below 70 W ¹
5-Row	90 W maximum	Below 90 W ¹

1. Keep below power limit. Cooling limitations must be considered.

2.3.3 Thermal Requirements

The MVME4100 module requires a minimum air flow of 10 CFM uniformly distributed across the board, with the airflow traveling from the heat sink to the PMC2 site, when operating at a 55 °C (131 °F) ambient temperature.

2.3.4 Thermally Significant Components

The following table summarizes components that exhibit significant temperature rises. These are the components that should be monitored in order to assess thermal performance. The table also supplies the component reference designator and the maximum allowable operating temperature.

You can find components on the board by their reference designators as shown in [Figure 2-1](#) and [Figure 2-2](#) on the next page. Versions of the board that are not fully populated may not contain some of these components.

The preferred measurement location for a component may be junction, case, or ambient as specified in the table. Junction temperature refers to the temperature measured by an on-chip thermal device. Case temperature refers to the temperature at the top, center surface of the component. Air temperature refers to the ambient temperature near the component.

Table 2-4 Thermally Significant Components

Reference Designator	Generic Description	Maximum Allowable Component Temperature	Measurement Location
U12	Processor	105 °C (+221 °F)	Junction
U4, U27	Gb Ethernet Transceivers	125 °C (+257 °F)	Junction
U66	MRAM	115 °C (+239 °F)	Junction
U24	VME Bridge	122 °C (+251.6 °F)	Junction
U22, U25	PCI-X to PCI-X Bridge	125 °C (+257 °F)	Junction
U67	PLD	90 °C (+194 °F)	Junction
U21	CPLD	85 °C (+185 °)	Junction
U2, U34, U35, U36	Transceivers	150 °C (+302 °F)	Junction
XJ1	DDR2 SDRAM	85 °C (+185 °)	Case

Figure 2-1 Primary Side Thermally Significant Components

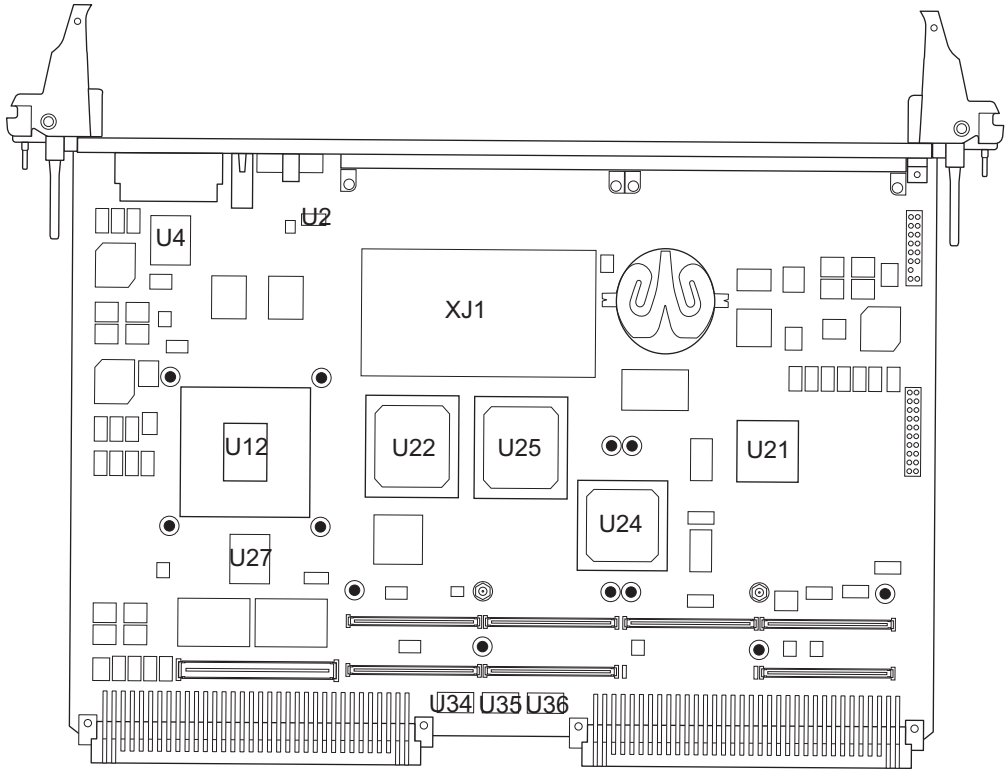
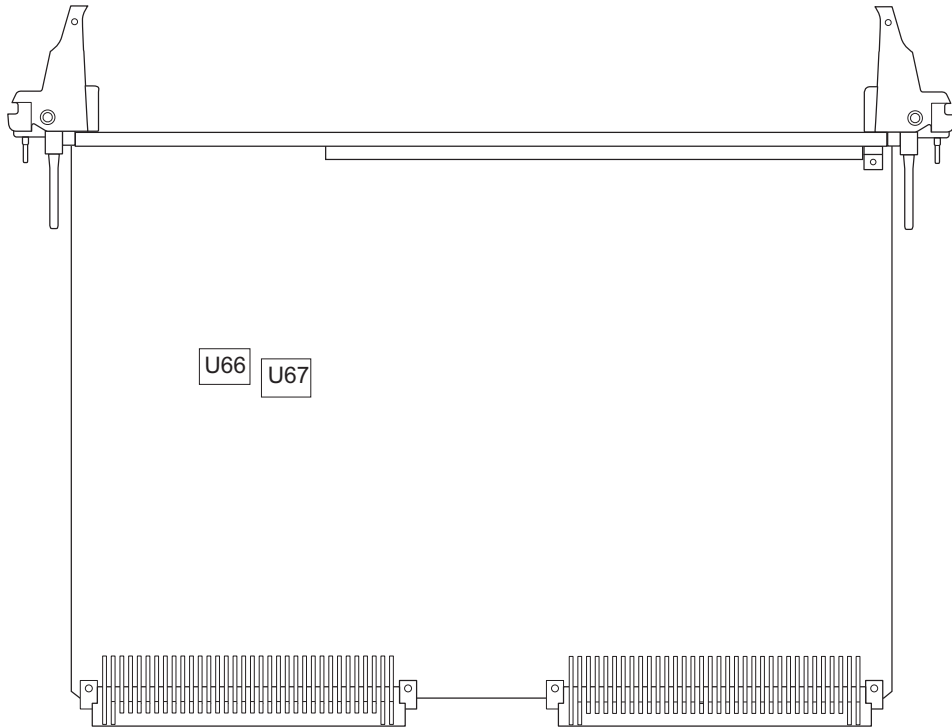


Figure 2-2 Secondary Side Thermally Significant Components



2.3.5 Equipment Requirements

The following equipment is recommended to complete an MVME4100 system:

- VMEbus system enclosure
- System console terminal
- Operating system (and/or application software)
- Transition module and connecting cables

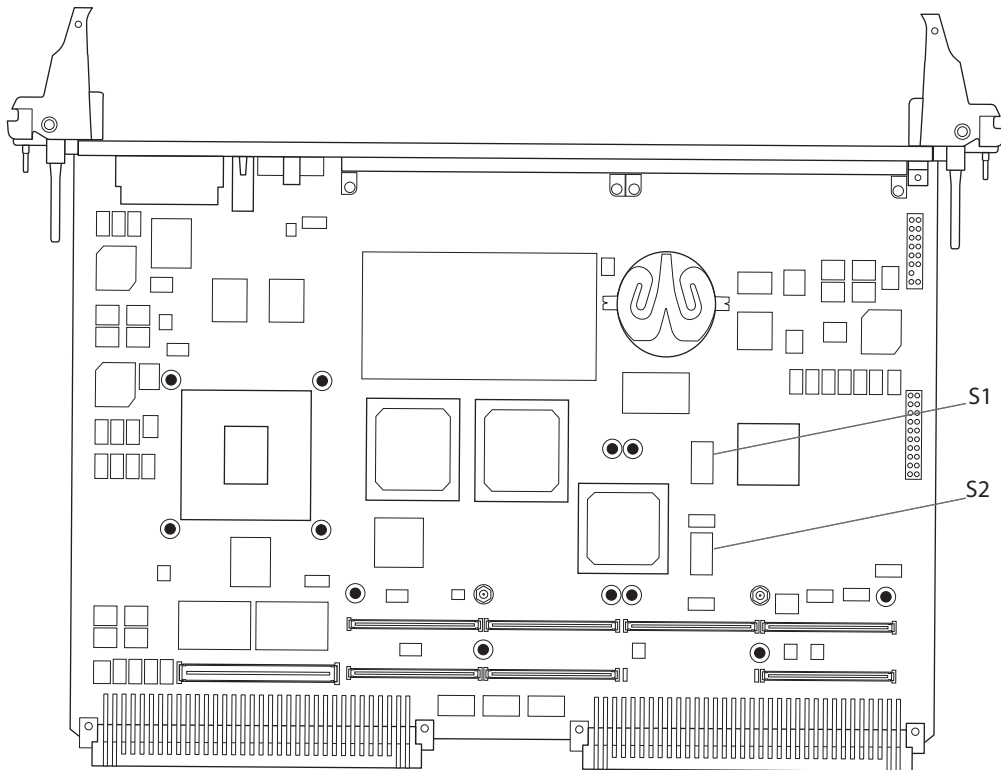
2.4 Configuring the Board

To produce the desired configuration and ensure proper operation of the MVME4100, you may need to carry out certain hardware modifications before installing the module.

The MVME4100 provides software control over most options: by setting bits in control registers after installing the module in a system, you can modify its configuration. The MVME4100 control registers are described in the *MVME4100 Programmer's Reference*.

Prior to installing PMC modules on the MVME4100 base board, ensure that all switches that are user configurable are set properly. To do this, refer to [Figure 2-3](#) or the board itself, for the location of specific switches and set the switches according to the following descriptions.

Figure 2-3 Switch Locations



The following sections describe the on-board switches and their configurations for the MVME4100.

NOTICE

Board Malfunction

Switches marked as "reserved" might carry production-related functions and can cause the board to malfunction if their setting is changed.

Do not change settings of switches marked as "reserved". The setting of switches which are not marked as "reserved" has to be checked and changed before board installation.

2.4.1 SMT Configuration Switch, S1

An 8-position SMT configuration switch is located on the MVME4100 to control the flash bank write-protect, select the flash boot image, and control the safe start ENV settings. The default setting on all switch positions is OFF and is indicated by brackets in [Table 2-5](#).

Figure 2-4 SMT Configuration Switch Position

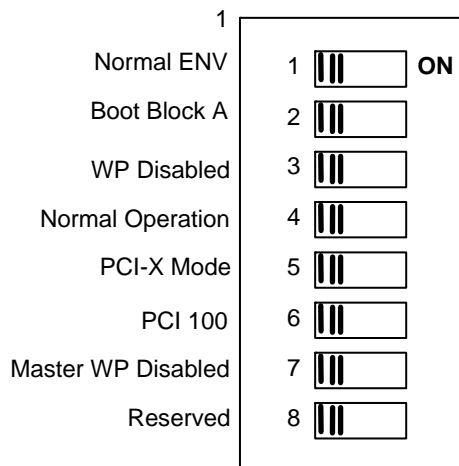


Table 2-5 Configuration Switch Settings (S1)

Switch	Description	Setting	Function
S1-1	Safe Start ¹	[OFF] ON	Use normal ENV Use safe ENV
S1-2	Boot Block B Select	[OFF] ON	Flash memory map normal and boot block A selected Boot block B selected, mapped to highest address
S1-3	Flash Bank WP	[OFF] ON	Entire NOR flash not write-protected Flash is write-protected When this switch is on, writes to the NOR flash devices are blocked by hardware. The FLASH BANK WP switch does not control writes to the NAND flash.
S1-4	JTAG Pass Thru	[OFF] ON	Normal operation Pass-Through mode
S1-5	PCI Mode	[OFF] ON	PCI-X mode PCI-C, 66 MHz mode
S1-6	PCI 66	[OFF] ON	PCI-X 100 MHz mode PCI 66 mode and PCI bus mode controlled by PCI Mode switch
S1-7	MASTER WP	[OFF] ON	Master write-protection (WP) disabled Master WP on to write protect the NOR flash, NAND flash, MRAM, and I ² C EEPROM devices This switch does not write protect the SPD on the SO-CDIMM. Other switches and control bits may write-protect individual devices.
S1-8	Reserved	-	-

1. Switch status is readable from System Status Register 1, bit 5. Software should check this bit and act accordingly.

2.4.2 Geographical Address Switch, S2

The Tsi148 VMEbus Status Register provides the VMEbus geographical address of the MVME4100. The switch reflects the inverted states of the geographical address signals. Applications not using the 5-row backplane can use the geographical address switch to assign a geographical address per the following diagram. Note that this switch is wired in parallel with the geographical address pins on the 5-row connector so these switches must be in the off

position when installed in a 5-row chassis in order to get the correct address from the P1 connector. This switch also includes the SCON control switches. More information regarding GA address switch assignments can be found in the *MVME4100 Single Board Computer Programmer's Reference*.

Figure 2-5 Geographical Address Switch Position

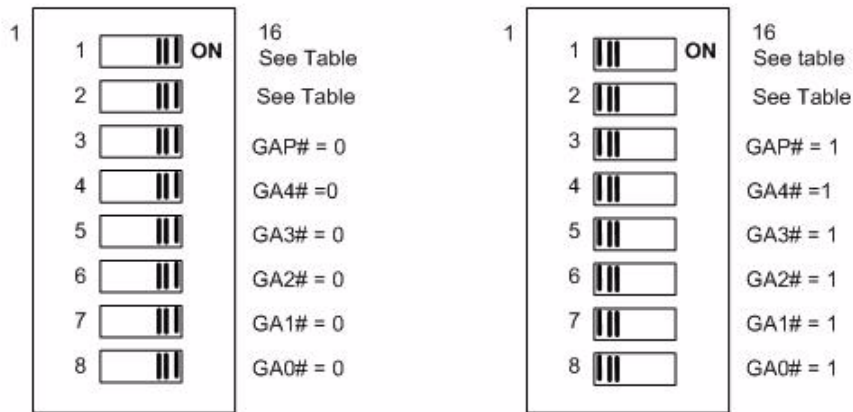


Table 2-6 Geographical Address Switch Settings

Position	Function	Default
S2-1	VME SCON Auto ¹	Auto-SCON
S2-2	VME SCON SEL ²	Non-SCON
S2-3	GAP	1
S2-4	GA4	1
S2-5	GA3	1
S2-6	GA2	1
S2-7	GA1	1
S2-8	GA0	1

1. The VME SCON MAN switch is OFF to select Auto-SCON mode. The switch is ON to select manual SCON mode which works in conjunction with the VME SCON SEL switch.

2. The VME SCON SEL switch is OFF to select non-SCON mode. The switch is ON to select always SCON mode. This switch is only effective when the VME SCON MAN switch is ON.

If you are installing the optional MVME7216E transition module, refer to *Transition Module on page 48* for configuration switch settings.

2.5 Installing Accessories

This section describes the procedures for installing the MVME7216E transition module, PMCs, and the XMCspan on the base board.

2.5.1 Transition Module

The MVME7216E does not support hot swap. You should remove power to the rear slot or system before installing the module. Before installing the MVME7216E transition module, you may need to manually configure the switch and install a PMC I/O Module (PIM). Refer to *Chapter 5, Transition Module*, for switch settings and PIM installation.

NOTICE

Damage of Circuits

Electrostatic discharge and incorrect installation and removal can damage circuits or shorten their life.

Before touching the board or electronic components, make sure that you are working in an ESD-safe environment.

Product Damage

Only use injector handles for board insertion to avoid damage to the front panel and/or PCB. Deformation of the front panel can cause an electrical short or other board malfunction.

Board Malfunction

Switches marked as “reserved” might carry production-related functions and can cause the board to malfunction if their setting is changed.

Do not change settings of switches marked as “reserved”. The setting of switches which are not marked as “reserved” has to be checked and changed before board installation.

Installation and Removal Procedure

To begin the installation of the transition module in a chassis, proceed as follows:

1. Turn all equipment power OFF and disconnect the power cable from the AC power source.
2. Remove the chassis cover as instructed in the equipment user's manual.
3. Remove the filler panel(s) from the appropriate card slot(s) at the rear of the chassis (if the chassis has a rear card cage).
4. Install the top and bottom edge of the transition module into the rear guides of the chassis.
5. Ensure that the levers of the two injector/ejectors are in the outward position.
6. Slide the transition module into the chassis until you feel resistance.
7. Simultaneously move the injector/ejector levers in an inward direction.
8. Verify that the transition module is properly seated and secure it to the chassis using the two screws located adjacent to the injector/ejector levers.
9. Connect the appropriate cables to the transition module.

To remove the transition module from the chassis, reverse the procedure and press the red locking tabs (IEEE handles only) to extract the board.

2.5.2 PMC

The PMC connectors are placed to support two single-width PMCs or one double-width PMC. PMC site 1 supports front PMC I/O and rear PMC I/O via the Jn4 connector. PMC 1 I/O is routed to the VME P2 connector. PMC site 2 only supports front PMC I/O and does not have a Jn4 connector. The PMC 1 Jn4 user I/O signals only support low-current high-speed signals and thus do not support current-bearing power supply usage.

The user-configured switches S1 and S2 are not accessible with a PMC installed in PMC site 2. The onboard PMC sites are configured to support +3.3 V I/O PMC modules. The onboard PMC sites may be configured to support 3.3V or 5.0V I/O PMC modules. To support 3.3V or 5.0V I/O PMC modules, both PMC I/O keying pins must be installed in the holes. If both keying pins are not in the same location or if the keying pins are not installed, the PMC sites will not function. Note that setting the PMC I/O voltage to 5.0 V forces the PMC sites to operate in 33 MHz PCI mode instead of PCI-X mode. The default factory configuration is for 3.3 V PMC I/O voltage.

Follow these steps to install a PMC onto the MVME4100 board.

Installation Procedure

Read all notices and follow these steps to install a PMC on the base board.

NOTICE

Damage of Circuits

Electrostatic discharge and incorrect installation and removal can damage circuits or shorten their life.

Before touching the board or electronic components, make sure that you are working in an ESD-safe environment.

Product Damage

Inserting or removing modules with power applied may result in damage to module components.

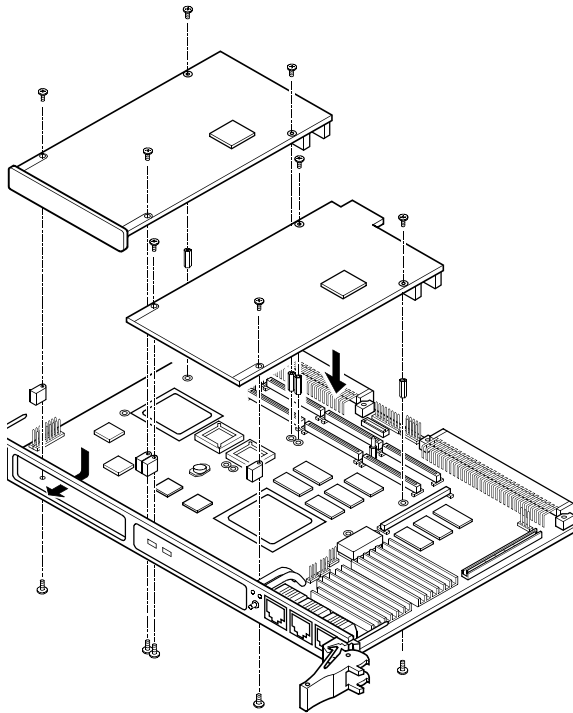
Before installing or removing additional devices or modules, read the documentation that came with the product.

1. Attach an ESD strap to your wrist.
2. Attach the other end of the ESD strap to the chassis as a ground.
The ESD strap must be secured to your wrist and to ground throughout the procedure.
3. Remove the PCI filler from the front panel.

4. Slide the edge connector of the PMC module into the front panel opening from behind and place the PMC module on top of the base board.
The four connectors on the underside of the PMC module should then connect smoothly with the corresponding connectors on the MVME4100.
5. Insert the four short phillips-head screws (provided with the PMC) through the holes on the bottom side of the MVME4100 and the PMC front bezel and into rear standoffs.
6. Tighten the screws. Refer to [Figure 2-6 on page 52](#).

7. Reinstall the MVME4100 assembly in its proper card slot.
Be sure the module is well seated in the backplane connectors. Do not damage or bend connector pins.
8. If the PMC module was installed in a non-hot swap chassis, replace the chassis or system cover(s), reconnect the system to the AC or DC power source and turn the equipment power on.

Figure 2-6 Typical Placement of a PMC Module on a VME Module



2.5.3 XMCspan

The XMCspan is a carrier module that provides PCI Express expansion capability to the MVME4100. Refer to the *XMCspan Installation and Use* manual for details about the XMCspan and the installation procedure.

2.6 Installing and Removing the Board

This section describes a recommended procedure for installing a board module in a chassis. The MVME4100 does not support hot swap. You should remove power to the slot or system before installing the module. Before installing the MVME4100, ensure that the serial ports and switches are properly configured.

Installation and Removal Procedure

Before you install your module, please read all cautions, warnings and instructions presented in this section.

NOTICE

Damage of Circuits

Electrostatic discharge and incorrect installation and removal can damage circuits or shorten their life.

Before touching the board or electronic components, make sure that you are working in an ESD-safe environment.

Product Damage

Only use injector handles for board insertion to avoid damage to the front panel and/or PCB. Deformation of the front panel can cause an electrical short or other board malfunction.

Use the following steps to install the MVME4100 into your computer chassis.

1. Attach an ESD strap to your wrist.
2. Attach the other end of the ESD strap to an electrical ground.
The ESD strap must be secured to your wrist and to ground throughout the procedure.
3. Remove any filler panel that might fill that slot.
4. Install the top and bottom edge of the MVME4100 into the guides of the chassis.
5. Ensure that the levers of the two injector/ejectors are in the outward position.
6. Slide the MVME4100 into the chassis until you feel resistance.

7. Simultaneously move the injector/ejector levers in an inward direction.
8. Verify that the MVME4100 is properly seated.
9. Secure it to the chassis using the two screws located adjacent to the injector/ejector levers.
10. Connect the appropriate cables to the MVME4100.

To remove the board from the chassis, reverse the procedure and press the red locking tabs (IEEE handles only) to extract the board.

2.7 Completing the Installation

The MVME4100 is designed to operate as an application-specific compute blade or an intelligent I/O board/carrier. It can be used in any slot in a VME chassis. When the MVME4100 is installed in a chassis, you are ready to connect peripherals and apply power to the board.

[Figure 3-1 on page 58](#) and [Figure 5-1 on page 92](#) show the locations of the various connectors on the MVME4100 and MVME7216E.

NOTICE

Product Damage

RJ-45 connectors on modules are either twisted-pair Ethernet (TPE) or E1/T1/J1 network interfaces. Connecting an E1/T1/J1 line to an Ethernet connector may damage your system.

- Make sure that TPE connectors near your working area are clearly marked as network connectors.
- Verify that the length of an electric cable connected to a TPE bushing does not exceed 100 m.
- Make sure the TPE bushing of the system is connected only to safety extra low voltage circuits (SELV circuits).

If in doubt, ask your system administrator.

The console settings for the MVME4100 are:

- Eight bits per character
- One stop bit per character
- Parity disabled (no parity)
- Baud rate of 9600 baud

Verify that hardware is installed and the power/peripheral cables connected are appropriate for your system configuration.

Replace the chassis or system cover, reconnect the chassis to the AC or DC power source, and turn the equipment power on.

2.8 Factory Installed Linux

A bootable ramdisk based Linux image based on the 2.6.27 kernel is available in NOR flash. To boot this image, use the following MOTLOAD commands:

```
MVME4100> bmw -af8000000 -bf8f00000 -c2000000 execP -12000400
```

The image should boot to the following prompt:

```
Emerson Network Power Embedded Computing Linux  
Kernel 2.6.27 on a MVME4100 localhost login:
```

Login as **root**.

The `/root/README.MVME4100_LINUX` file provides a brief overview of MVME4100 Linux. Contact Emerson Network Power Embedded Computing for kernel patches and additional information on using MVME4100 Linux.

Controls, LEDs, and Connectors

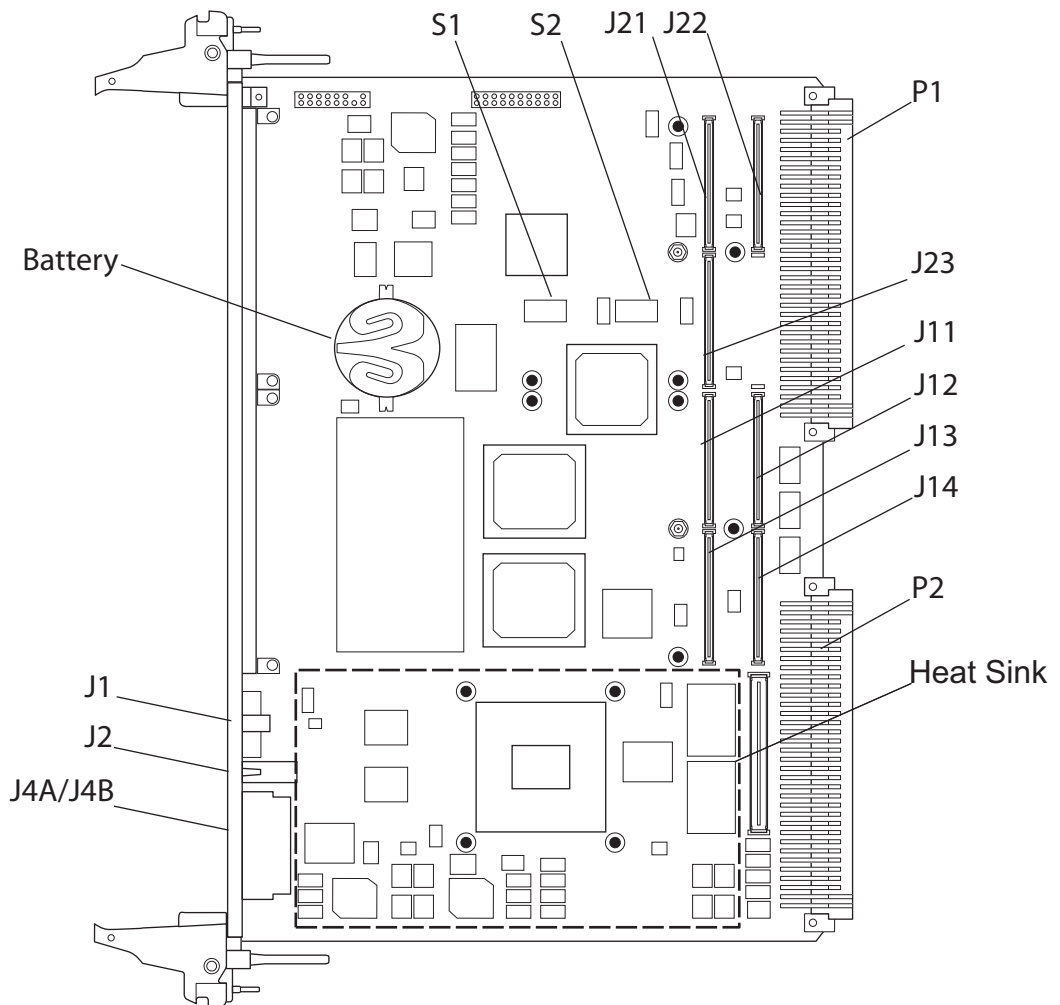
3.1 Overview

This chapter summarizes the controls, LEDs, connectors, and headers for the MVME4100 base board. Connectors for the MVME7216E transition module can be found in *Rear Panel Connectors* on page 95.

3.2 Board Layout

The following figure shows the components, LEDs, connectors, and the reset switch on the MVME4100.

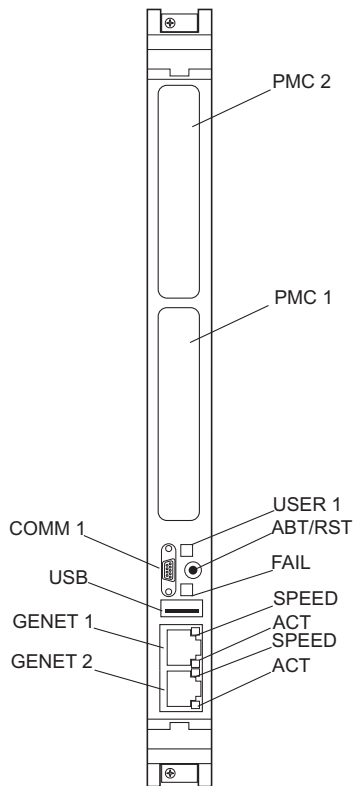
Figure 3-1 Component Layout



3.3 Front Panel

The following switch, LEDs, and connectors are available on the MVME4100 front panel.

Figure 3-2 Front Panel LEDs, Connectors, Switch



3.3.1 Reset/Abort Switch

The MVME4100 has a single push button switch to provide both the abort and reset functions. When the switch is depressed for less than 3 seconds, an abort interrupt is generated to the MPC8548E PIC. If the switch is held for more than 3 seconds, a board hard reset is generated. If the MVME4100 is the VMEbus system controller, a VME SYSRESET is generated.

3.3.2 LEDs

The next table describes the LEDs on the front panel of the MVME4100. Refer to [Figure 3-2 on page 59](#) for LED locations.

Table 3-1 Front Panel LEDs

Label	Function	Color	Description
BFL	Board Fail	Red	This indicator is illuminated during a hard reset and remains illuminated until software turns it off. The LED is controlled by bit 14 (BDFAIL) of the VSTAT register in the Tsi148.
USR1	User Defined	Red/Yellow	This indicator is illuminated by S/W assertion of its corresponding register bits in the Status Indicator Register. See the Programmer's Guide for further details.
GNET1 SPEED	TSEC1 Link / Speed	Off Yellow Green	No link 10/100 BASE-T operation 1000 BASE-T operation
GNET1 ACT	TSEC1Activity	Off Blinking Green	No activity Activity proportional to bandwidth utilization
GNET2 SPEED	TSEC2 Link / Speed	Off Yellow Green	No link 10/100 BASE-T operation 1000 BASE-T operation
GNET2 ACT	TSEC2 Activity	Off Blinking Green	No activity Activity proportional to bandwidth utilization

3.3.3 Connectors

This section describes the pin assignments and signals for the connectors on the MVME4100. The next table lists the standard connectors on the MVME4100 base board. Refer to [Figure 3-1 on page 58](#) for connector locations. Pin assignments for the connectors are in the following sections. Some connectors use standard pin assignments in compliance with the VMEbus, IEEE, PCI, and ANSI/VITA specifications. Links to these specifications are located at [Appendix B, Related Specifications, on page 132](#).

Table 3-2 Base Board Connectors

Reference Designator	Function	Notes
J6	XMC Expansion	8X PCI-E to XMCspan
J4A	TSEC 1, 10/100/1000 Ethernet	RJ-45 GENET 1 on front
J4B	TSEC 2, 10/100/1000 Ethernet	RJ-45 GENET2 on front
J11, J12, J13, J14 J21, J22, J23	PMC1 PMC2	Implementing all recommended and optional VITA32 signals except RESETOUT#
J1	Port 0. Serial Port 1	Micro DB-9 console serial port on front
P1	VME five-row P1	
P2	VME five-row P2 on SBC and RTM	TSEC3 signals assigned to E1-1 thru E1-4 TSEC4 signals assigned to E2-1 thru E2-4 Serial ports 2-5
J2	USB	Single channel upright USB connector. USB1 on front USB2 on RTM
P4	Processor COP header	Planar header for processor COP emulation
P5	Boundary Scan header	Planar header for boundary scan and PLD/flash programming

3.3.3.1 XMC Expansion Connector (J6)

One 76-pin Mictor connector with a center row of ground pins is used to provide XMC expansion capability. The pin assignments for this connector are as follows:

Table 3-3 XMC Expansion Connector (J6) Pin Assignments

Pin	Signal		Signal	Pin
1	GND	GND	GND	2
3	TX0_P		RX0_P	4
5	TX0_N		RX0_N	6
7	GND		GND	8
9	TX1_P		RX1_P	10
11	TX1_N		RX1_N	12
13	GND		GND	14
15	TX2_P		RX2_P	16
17	TX2_N		RX2_N	18
19	GND		GND	20
21	TX3_P		RX3_P	22
23	TX3_N		RX3_N	24
25	GND		GND	26
27	REFCLK_P		No Connect	28
29	REFCLK_N		No Connect	30
31	GND		GND	32
33	No Connect		No Connect	34
35	No Connect		PCIE_END_N	36
37	INT_N		RESET_N	38

Table 3-3 XMC Expansion Connector (J6) Pin Assignments (continued)

Pin	Signal		Signal	Pin
39	GND	GND	GND	40
41	TX4_P		RX4_P	42
43	TX4_N		RX4_N	44
45	GND		GND	46
47	TX5_P		RX5_P	48
49	TX5_N		RX5_N	50
51	GND		GND	52
53	TX6_P		RX6_P	54
55	TX6_N		RX6_N	56
57	GND		GND	58
59	TX7_P		RX7_P	60
61	TX7_N		RX7_N	62
63	GND		GND	64
65	No Connect		No Connect	66
67	No Connect		No Connect	68
69	TDI		TDO	70
71	TRST_N		I2C_CLK	72
73	TMS		I2C_DATA	74
75	TCK	PRESENT_N	76	

3.3.3.2 Ethernet Connectors (J4A/J4B)

There are four 10/100/1000 Mb/s full duplex Ethernet interfaces using the MPC8548E Triple Speed Ethernet Controllers (TSECs). Two Gigabit Ethernet interfaces are routed to the two front-panel RJ-45 connectors with integrated LEDs for speed and activity indication. The other Gigabit Ethernet interfaces are routed to P2 for rear I/O. These connectors use standard pin assignments and are as follows:

Table 3-4 Ethernet Connectors (J4A/J4B) Pin Assignments

Pin #	10/100/1000 Mb/s
1	_DA+
2	_DA-
3	_DB+
4	_DC+
5	_DC-
6	_DB-
7	_DD+
8	_DD-

3.3.3.3 PCI Mezzanine Card (PMC) Connectors (J11 – J14, J21 – J23)

There are seven 64-pin SMT connectors on the MVME4100 to provide 32/64-bit PCI interfaces and P2 I/O for one optional add-on PMC.

PMC slot connector J14 contains the signals that go to VME P2 I/O rows A, C, D, and Z. The pin assignments for these connectors are as follows:

Table 3-5 PMC Slot 1 Connector (J11) Pin Assignments

Pin	Signal	Signal	Pin
1	TCK	-12V	2
3	GND	INTA#	4
5	INTB#	INTC#	6
7	PMCPRSNT1#	+5V	8

Table 3-5 PMC Slot 1 Connector (J11) Pin Assignments (continued)

Pin	Signal	Signal	Pin
9	INTD#	PCI_RSVD (No Connect)	10
11	GND	+3.3Vaux (No Connect)	12
13	CLK	GND	14
15	GND	PMCGNT1#	16
17	PMCREQ1#	+5V	18
19	+3.3V (VIO)	AD31	20
21	AD28	AD27	22
23	AD25	GND	24
25	GND	C/BE3#	26
27	AD22	AD21	28
29	AD19	+5V	30
31	+3.3V (VIO)	AD17	32
33	FRAME#	GND	34
35	GND	IRDY#	36
37	DEVSEL#	+5V	38
39	PCIXCAP	LOCK#	40
41	PCI_RSVD (No Connect)	PCI_RSVD (No Connect)	42
43	PAR	GND	44
45	+3.3V (VIO)	AD15	46
47	AD12	AD11	48
49	AD09	+5V	50
51	GND	C/BE0#	52
53	AD06	AD05	54
55	AD04	GND	56
57	+3.3V (VIO)	AD03	58
59	AD02	AD01	60
61	AD00	+5V	62

Table 3-5 PMC Slot 1 Connector (J11) Pin Assignments (continued)

Pin	Signal	Signal	Pin
63	GND	REQ64#	64

Table 3-6 PMC Slot 1 Connector (J12) Pin Assignments

Pin	Signal	Signal	Pin
1	+12V	TRST#	2
3	TMS	TDO	4
5	TDI	GND	6
7	GND	Not Used	8
9	Not Used	Not Used	10
11	Pull-up to +3.3V	+3.3V	12
13	RST#	Pull-down	14
15	+3.3V	Pull-down	16
17	Not Used	GND	18
19	AD30	AD29	20
21	GND	AD26	22
23	AD24	+3.3V	24
25	IDSEL1	AD23	26
27	+3.3V	AD20	28
29	AD18	GND	30
31	AD16	C/BE2#	32
33	GND	IDSEL1B	34
35	TRDY#	+3.3V	36
37	GND	STOP#	38
39	PERR#	GND	40
41	+3.3V	SERR#	42
43	C/BE1#	GND	44
45	AD14	AD13	46

Table 3-6 PMC Slot 1 Connector (J12) Pin Assignments (continued)

Pin	Signal	Signal	Pin
47	M66EN	AD10	48
49	AD08	+3.3V	50
51	AD07	REQ1B#	52
53	+3.3V	GNT1B#	54
55	Not Used	GND	56
57	Not Used	EREADY0	58
59	GND	Not Used	60
61	ACK64#	+3.3V	62
63	GND	No Connect (MONARCH#)	64

Table 3-7 PMC Slot 1 Connector (J13) Pin Assignments

Pin	Signal	Signal	Pin
1	Reserved (No Connect)	GND	2
3	GND	C/BE7#	4
5	C/BE6#	C/BE5#	6
7	C/BE4#	GND	8
9	+3.3V (VIO)	PAR64	10
11	AD63	AD62	12
13	AD61	GND	14
15	GND	AD60	16
17	AD59	AD58	18
19	AD57	GND	20
21	+3.3V (VIO)	AD56	22
23	AD55	AD54	24
25	AD53	GND	26
27	GND	AD52	28
29	AD51	AD50	30

Table 3-7 PMC Slot 1 Connector (J13) Pin Assignments (continued)

Pin	Signal	Signal	Pin
31	AD49	GND	32
33	GND	AD48	34
35	AD47	AD46	36
37	AD45	GND	38
39	+3.3V (VIO)	AD44	40
41	AD43	AD42	42
43	AD41	GND	44
45	GND	AD40	46
47	AD39	AD38	48
49	AD37	GND	50
51	GND	AD36	52
53	AD35	AD34	54
55	AD33	GND	56
57	+3.3V (VIO)	AD32	58
59	Reserved (No Connect)	Reserved (No Connect)	60
61	Reserved (No Connect)	GND	62
63	GND	Reserved (No Connect)	64

Table 3-8 PMC Slot 1 Connector (J14) Pin Assignments

Pin	Signal	Signal	Pin
1	PMC1_1 (P2-C1)	PMC1_2 (P2-A1)	2
3	PMC1_3 (P2-C2)	PMC1_4 (P2-A2)	4
5	PMC1_5 (P2-C3)	PMC1_6 (P2-A3)	6
7	PMC1_7 (P2-C4)	PMC1_8 (P2-A4)	8
9	PMC1_9 (P2-C5)	PMC1_10 (P2-A5)	10
11	PMC1_11 (P2-C6)	PMC1_12 (P2-A6)	12
13	PMC1_13 (P2-C7)	PMC1_14 (P2-A7)	14

Table 3-8 PMC Slot 1 Connector (J14) Pin Assignments (continued)

Pin	Signal	Signal	Pin
15	PMC1_15 (P2-C8)	PMC1_16 (P2-A8)	16
17	PMC1_17 (P2-C9)	PMC1_18 (P2-A9)	18
19	PMC1_19 (P2-C10)	PMC1_20 (P2-A10)	20
21	PMC1_21 (P2-C11)	PMC1_22 (P2-A11)	22
23	PMC1_23 (P2-C12)	PMC1_24 (P2-A12)	24
25	PMC1_25 (P2-C13)	PMC1_26 (P2-A13)	26
27	PMC1_27 (P2-C14)	PMC1_28 (P2-A14)	28
29	PMC1_29 (P2-C15)	PMC1_30 (P2-A15)	30
31	PMC1_31 (P2-C16)	PMC1_32 (P2-A16)	32
33	PMC1_33 (P2-C17)	PMC1_34 (P2-A17)	34
35	PMC1_35 (P2-C18)	PMC1_36 (P2-A18)	36
37	PMC1_37 (P2-C19)	PMC1_38 (P2-A19)	38
39	PMC1_39 (P2-C20)	PMC1_40 (P2-A20)	40
41	PMC1_41 (P2-C21)	PMC1_42 (P2-A21)	42
43	PMC1_43 (P2-C22)	PMC1_44 (P2-A22)	44
45	PMC1_45 (P2-C23)	PMC1_46 (P2-A23)	46
47	PMC1_47 (P2-C24)	PMC1_48 (P2-A24)	48
49	PMC1_49 (P2-C25)	PMC1_50 (P2-A25)	50
51	PMC1_51 (P2-C26)	PMC1_52 (P2-A26)	52
53	PMC1_53 (P2-C27)	PMC1_54 (P2-A27)	54
55	PMC1_55 (P2-C28)	PMC1_56 (P2-A28)	56
57	PMC1_57 (P2-C29)	PMC1_58 (P2-A29)	58
59	PMC1_59 (P2-C30)	PMC1_60 (P2-A30)	60
61	PMC1_61 (P2-C31)	PMC1_62 (P2-A31)	62
63	PMC1_63 (P2-C32)	PMC1_64 (P2-A32)	64

Table 3-9 PMC Slot 2 Connector (J21) Pin Assignments

Pin	Signal	Signal	Pin
1	TCK	-12V	2
3	GND	INTC#	4
5	INTD#	INTA#	6
7	PMCPRSNT1#	+5V	8
9	INTB#	PCI_RSVD (No Connect)	10
11	GND	+3.3Vaux (No Connect)	12
13	CLK	GND	14
15	GND	PMCGNT1#	16
17	PMCREQ1#	+5V	18
19	+3.3V (VIO)	AD31	20
21	AD28	AD27	22
23	AD25	GND	24
25	GND	C/BE3#	26
27	AD22	AD21	28
29	AD19	+5V	30
31	+3.3V (VIO)	AD17	32
33	FRAME#	GND	34
35	GND	IRDY#	36
37	DEVSEL#	+5V	38
39	PCIXCAP	LOCK#	40
41	PCI_RSVD (No Connect)	PCI_RSVD (No Connect)	42
43	PAR	GND	44
45	+3.3V (VIO)	AD15	46
47	AD12	AD11	48
49	AD09	+5V	50
51	GND	C/BE0#	52
53	AD06	AD05	54

Table 3-9 PMC Slot 2 Connector (J21) Pin Assignments (continued)

Pin	Signal	Signal	Pin
55	AD04	GND	56
57	+3.3V (VIO)	AD03	58
59	AD02	AD01	60
61	AD00	+5V	62
63	GND	REQ64#	64

Table 3-10 PMC Slot 2 Connector (J22) Pin Assignments

Pin	Signal	Signal	Pin
1	+12V	TRST#	2
3	TMS	TDO	4
5	TDI	GND	6
7	GND	Not Used	8
9	Not Used	Not Used	10
11	Pull-up to +3.3V	+3.3V	12
13	RST#	Pull-down	14
15	+3.3V	Pull-down	16
17	Not Used	GND	18
19	AD30	AD29	20
21	GND	AD26	22
23	AD24	+3.3V	24
25	IDSEL1	AD23	26
27	+3.3V	AD20	28
29	AD18	GND	30
31	AD16	C/BE2#	32
33	GND	IDSEL1B	34
35	TRDY#	+3.3V	36
37	GND	STOP#	38

Table 3-10 PMC Slot 2 Connector (J22) Pin Assignments (continued)

Pin	Signal	Signal	Pin
39	PERR#	GND	40
41	+3.3V	SERR#	42
43	C/BE1#	GND	44
45	AD14	AD13	46
47	M66EN	AD10	48
49	AD08	+3.3V	50
51	AD07	REQ1B#	52
53	+3.3V	GNT1B#	54
55	Not Used	GND	56
57	Not Used	EREADY1	58
59	GND	RSTOUT#	60
61	ACK64#	+3.3V	62
63	GND	No Connect (MONARCH#)	64

Table 3-11 PMC Slot 2 Connector (J23) Pin Assignments

Pin	Signal	Signal	Pin
1	Reserved (No Connect)	GND	2
3	GND	C/BE7#	4
5	C/BE6#	C/BE5#	6
7	C/BE4#	GND	8
9	+3.3V (VIO)	PAR64	10
11	AD63	AD62	12
13	AD61	GND	14
15	GND	AD60	16
17	AD59	AD58	18
19	AD57	GND	20
21	+3.3V (VIO)	AD56	22

Table 3-11 PMC Slot 2 Connector (J23) Pin Assignments (continued)

Pin	Signal	Signal	Pin
23	AD55	AD54	24
25	AD53	GND	26
27	GND	AD52	28
29	AD51	AD50	30
31	AD49	GND	32
33	GND	AD48	34
35	AD47	AD46	36
37	AD45	GND	38
39	+3.3V (VIO)	AD44	40
41	AD43	AD42	42
43	AD41	GND	44
45	GND	AD40	46
47	AD39	AD38	48
49	AD37	GND	50
51	GND	AD36	52
53	AD35	AD34	54
55	AD33	GND	56
57	+3.3V (VIO)	AD32	58
59	Reserved (No Connect)	Reserved (No Connect)	60
61	Reserved (No Connect)	GND	62
63	GND	Reserved (No Connect)	64

3.3.3.4 Serial Port Connector (COM1/J1)

There is one front access asynchronous serial port interface (SP0) that is routed to the micro DB-9 front-panel connector. You can use the Emerson part **SERIAL-MINI-D2** to convert to a DB9 male connector. The pin assignments for this connector are as follows:

Table 3-12 COM1 Port Connector Pin Assignments

Pin	Signal
1	No Connect
2	RX
3	TX
4	No Connect
5	GND
6	No Connect
7	RTS
8	CTS
9	No Connect

3.3.3.5 USB Connector (J2)

There is one USB Type A connector located on the MVME4100 front panel. The pin assignments are as follows:

Table 3-13 USB Connector (J2) Pin Assignments

Pin	Signal
1	USB_VBUS (+5.0V)
2	USB_DATA-
3	USB_DATA+
4	GND

3.3.3.6 VMEbus P1 Connector

The VME P1 connector is a 160-pin DIN. The P1 connector provides power and VME signals for 24-bit address and 16-bit data. The pin assignments for the P1 connector is as follows:

Table 3-14 VMEbus P1 Connector Pin Assignments

Pin	ROW Z	ROW A	ROW B	ROW C	ROW D	Pin
1	Reserved (N/C)	D00	BBSY*	D08	+5V	1
2	GND	D01	BCLR*	D09	GND	2
3	Reserved (N/C)	D02	ACFAIL*	D10	Reserved (N/C)	3
4	GND	D03	BG0IN*	D11	Reserved (N/C)	4
5	Reserved (N/C)	D04	BG0OUT*	D12	Reserved (N/C)	5
6	GND	D05	BG1IN*	D13	Reserved (N/C)	6
7	Reserved (N/C)	D06	BG1OUT*	D14	Reserved (N/C)	7
8	GND	D07	BG2IN*	D15	Reserved (N/C)	8
9	Reserved (N/C)	GND	BG2OUT*	GND	GAP_L	9
10	GND	SYSCLK	BG3IN*	SYSFAIL*	GA0_L	10
11	Reserved (N/C)	GND	BG3OUT*	BERR*	GA1_L	11
12	GND	DS1*	BR0*	SYSRESET*	+3.3V (Not Used)	12
13	Reserved (N/C)	DS0*	BR1*	LWORD*	GA2_L	13
14	GND	WRITE*	BR2*	AM5	+3.3V (Not Used)	14
15	Reserved (N/C)	GND	BR3*	A23	GA3_L	15
16	GND	DTACK*	AM0	A22	+3.3V (Not Used)	16
17	Reserved (N/C)	GND	AM1	A21	GA4_L	17
18	GND	AS*	AM2	A20	+3.3V (Not Used)	18
19	Reserved (N/C)	GND	AM3	A19	Reserved (N/C)	19
20	GND	IACK*	GND	A18	+3.3V (Not Used)	20
21	Reserved (N/C)	IACKIN*	SERA (N/C)	A17	Reserved (N/C)	21
22	GND	IACKOUT*	SERB (N/C)	A16	+3.3V (Not Used)	22
23	Reserved (N/C)	AM4	GND	A15	Reserved (N/C)	23

Table 3-14 VMEbus P1 Connector Pin Assignments (continued)

Pin	ROW Z	ROW A	ROW B	ROW C	ROW D	Pin
24	GND	A07	IRQ7*	A14	+3.3V (Not Used)	24
25	Reserved (N/C)	A06	IRQ6*	A13	Reserved (N/C)	25
26	GND	A05	IRQ5*	A12	+3.3V (Not Used)	26
27	Reserved (N/C)	A04	IRQ4*	A11	Reserved (N/C)	27
28	GND	A03	IRQ3*	A10	+3.3V (Not Used)	28
29	Reserved (N/C)	A02	IRQ2*	A09	Reserved (N/C)	29
30	GND	A01	IRQ1*	A08	+3.3V (Not Used)	30
31	Reserved (N/C)	-12V	+5VSTDBY (N/C)	+12V	GND	31
32	GND	+5V	+5V	+5V	+5V	32

3.3.3.7 VMEbus P2 Connector

The VME P2 connector is a 160-pin DIN. Row B of the P2 connector provides power to the MVME4100 and to the upper eight VMEbus address lines and additional 16 VMEbus data lines. The Z, A, C, and D pin assignments for the P2 connector are the same for both the MVME4100 and MVME7216E, and are as follows:

Table 3-15 VME P2 Connector Pinouts

Pin	P2-Z	P2-A	P2-B	P2-C	P2-D
1	SP1RX	PMC1_IO2	+5V	PMC1_IO1	E1-1+
2	GND	PMC1_IO4	GND	PMC1_IO3	E1-1-
3	SPITX	PMC1_IO6	VRETRY_L	PMC1_IO5	GND
4	GND	PMC1_IO8	VA24	PMC1_IO7	E1-2+
5	SP1CTS	PMC1_IO10	VA25	PMC1_IO9	E1-2-
6	GND	PMC1_IO12	VA26	PMC1_IO11	GND
7	SP1RTS	PMC1_IO14	VA27	PMC1_IO13	E1-3+
8	GND	PMC1_IO16	VA28	PMC1_IO15	E1-3-
9	SP2RX	PMC1_IO18	VA29	PMC1_IO17	GND

Table 3-15 VME P2 Connector Pinouts (continued)

Pin	P2-Z	P2-A	P2-B	P2-C	P2-D
10	GND	PMC1_IO20	VA30	PMC1_IO19	E1-4+
11	SP2TX	PMC1_IO22	VA31	PMC1_IO21	E1-4-
12	GND	PMC1_IO24	GND	PMC1_IO23	GND
13	SP2CTS	PMC1_IO26	+5V	PMC1_IO25	I2C_SDA
14	GND	PMC1_IO28	VD16	PMC1_IO27	I2C_SCL
15	SP2RTS	PMC1_IO30	VD17	PMC1_IO29	E1_LINK
16	GND	PMC1_IO32	VD18	PMC1_IO31	E1_ACT
17	SP3RX	PMC1_IO34	VD19	PMC1_IO33	E2_LINK
18	GND	PMC1_IO36	VD20	PMC1_IO35	E2_ACT
19	SP3TX	PMC1_IO38	VD21	PMC1_IO37	GND
20	GND	PMC1_IO40	VD22	PMC1_IO39	E2-4-
21	SP3CTS	PMC1_IO42	VD23	PMC1_IO41	E2-4+
22	GND	PMC1_IO44	GND	PMC1_IO43	GND
23	SP3RTS	PMC1_IO46	VD24	PMC1_IO45	E2-3-
24	GND	PMC1_IO48	VD25	PMC1_IO47	E2-3+
25	SP4RX	PMC1_IO50	VD26	PMC1_IO49	GND
26	GND	PMC1_IO52	VD27	PMC1_IO51	E2-2-
27	SP4TX	PMC1_IO54	VD28	PMC1_IO53	E2-2+
28	GND	PMC1_IO56	VD29	PMC1_IO55	GND
29	SP4CTS	PMC1_IO58	VD30	PMC1_IO57	E2-1-
30	GND	PMC1_IO60	VD31	PMC1_IO59	E2-1+
31	SP4RTS	PMC1_IO62	GND	PMC1_IO61	GND
32	GND	PMC1_IO64	+5V	PMC1_IO63	+5V

3.4 Headers

This section describes the pin assignments of the Headers on the MVME4100.

3.4.1 Processor COP Header (P4)

There is one standard 16-pin header that provides access to the COP function. The pin assignments for this header are as follows:

Table 3-16 Processor COP Header (P4) Pin Assignments

Pin	Signal	Signal	Pin
1	CPU_TDO	No Connect	2
3	CPU_TDI	CPU_TRST_L	4
5	Pull-up to +3.3V	Pull-up to CPU_VIO (+3.3V)	6
7	CPU_TCK	CPU_CKSTPI_L	8
9	CPU_TMS	No Connect	10
11	CPU_SRST_L	GND (No Connect)	12
13	CPU_HRST_L	KEY (no pin)	14
15	CPU_CKSTPO_L	GND	16

Pin 6 +3.3 V has a 100 W resistor to +3.3 V.

3.4.2 Boundary Scan Header (P5)

The 20-pin boundary scan header provides an interface for programming the on-board PLDs and for boundary scan testing/debug purposes. The pin assignments for this header are as follows:

Table 3-17 Boundary Scan Header (P5) Pin Assignments

Pin	Signal	Signal	Pin
1	TCK	GND	2
3	TDO	GND	4
5	TMS	GND	6
7	TRST_N	GND	8
9	TDI	(BSCANEN_N)	10

Table 3-17 Boundary Scan Header (P5) Pin Assignments (continued)

Pin	Signal	Signal	Pin
11	KEY	No Connect	12
13	GND	AUTOWR_N	14
15	GND	No Connect	16
17	GND	No Connect	18
19	GND	No Connect	20

Pin 10 must be grounded in the cable in order to enable boundary scan.

Functional Description

4.1 Overview

The MVME4100 VMEbus board is based on the MPC8548E system-on-chip (SoC) processors. The MVME4100 provides front panel access to one serial port with a mini DB-9 connector, two 10/100/1000 Ethernet ports with two RJ-45 connectors, and one USB port with one type A connector. The front panel includes a fail indicator LED, user-defined indicator LED, and a reset/abort switch.

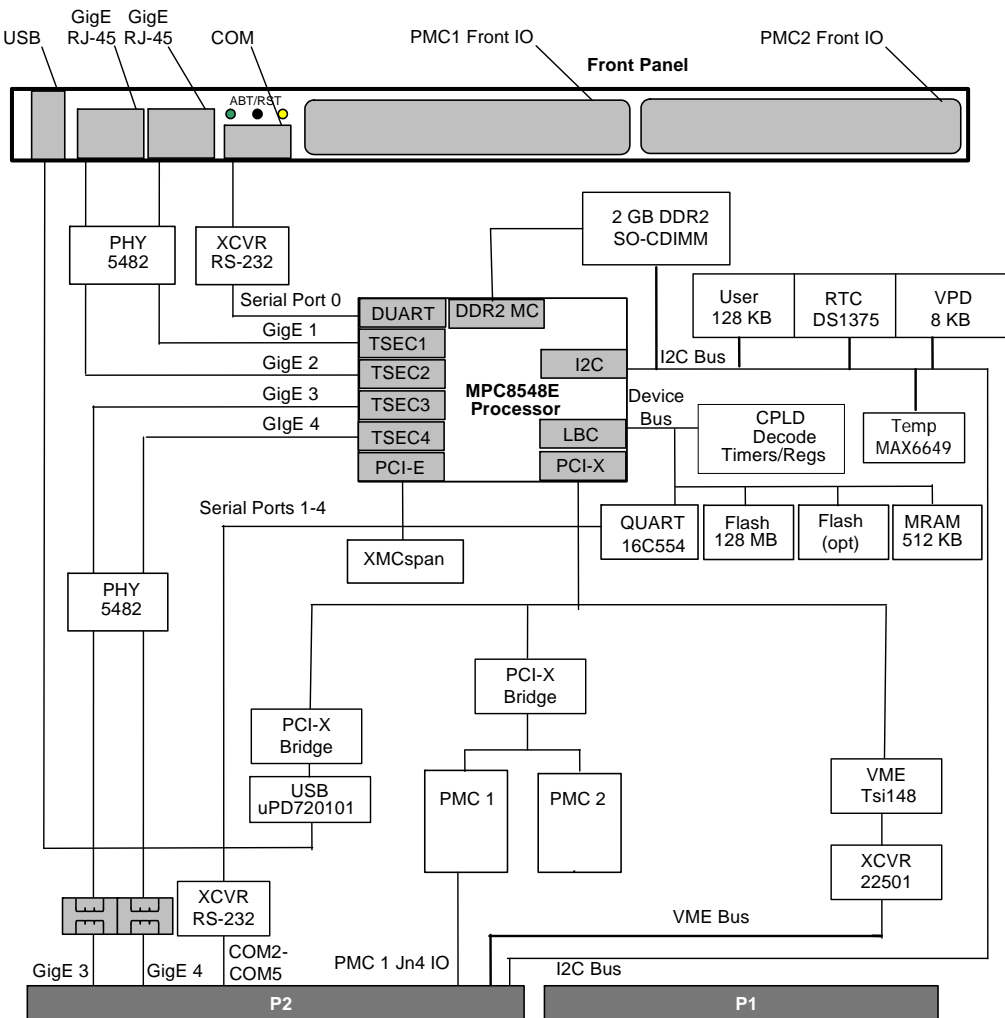
The MVME7216E transition module provides rear panel access to four serial ports with one RJ-45 connector per port and two 10/100/1000 Ethernet ports with two RJ-45 connectors. The transition module also provides two planar connectors for one PIM with front I/O.

The block diagram for the MVME4100 Single Board Computer is shown in [Figure 4-1](#) and the block diagram for the MVME7216E transition module is shown in [Figure 5-2](#).

4.2 Block Diagram

The following figure is a block diagram of the MVME4100 architecture.

Figure 4-1 Block Diagram



4.3 Processor

The MVME4100 is designed to support the MPC8548E processor. The processor is configured to operate at 1.3 GHz core frequency with a corresponding 533 Mb DDR2 memory bus.

The MVME4100 supports the power-on reset (POR) pin sampling method for processor reset configuration. The states of the various configuration pins on the processor are sampled when reset is de-asserted to determine the desired operating modes. Combinations of pull-up and pull-down resistors are used to set the options. Some options are fixed and some are selectable at build time by installing the proper pull-up/pull-down resistor. Refer to the MPC8548E reference manual, listed in [Appendix B, Related Documentation, Manufacturers' Documents on page 129](#) for additional details and/or programming information.

4.4 I²C Serial Interface and Devices

The MVME4100 provides the following on-board I²C serial devices connected to the MPC8548E I²C controller 0 interface:

- 8 KB serial EEPROM for VPD
- Two 64 KB serial EEPROMs for user configuration data storage
- One 256 byte serial EEPROM on SO-CDIMM for SPD
- Maxim DS1375 Real Time Clock
- Maxim MAX6649 temperature sensor
- 8 KB serial EEPROM on RTM VPD

The RTC implemented on the MVME4100 provides an alarm interrupt routed to the MPC8548E PIC through the control PLD. A DS32KHz temperature controlled crystal oscillator provides the RTC clock reference. A battery backup circuit for the RTC is provided on-board.

The Maxim digital temperature sensor measures of temperature of the board and also connects to the temperature diode on the MPC8548E. The temperature sensor also provides an alarm interrupt routed to the MPC8548E PIC through the control PLD.

The I²C interface is routed to the P2 connector for access to the serial EEPROM located on the transition module. The device address for the transition module serial EEPROM is user selectable using the configuration switches. Refer to [Chapter 5, Transition Module](#) for information on the switches.

For programming information, see the *MVME4100 Single Board Computer Programmer's Reference*.

4.5 System Memory

The MVME4100 includes one SO-CDIMM socket. The SO-CDIMM socket supports 1 GByte and 2 GByte DDR2 SDRAM modules. The MVME4100 supports memory speeds up to DDR533.

4.6 Timers

Timing functions for the MVME4100 are provided by four global high-resolution timers integrated into the MPC8548E plus four additional independent 32-bit timers in a PLD.

The four integrated 32-bit timers are clocked by the RTC input which is driven by a 1 MHz clock. Refer to the MPC8548E reference manual, listed in [Appendix B, Related Documentation, Manufacturers' Documents on page 129](#) for additional details and/or programming information.

The clock source for the four 32-bit timers in the PLD is 25 MHz. The timer prescaler must be configured to generate a 1 MHz timer reference. For programming information, see *MVME4100 Single Board Computer Programmer's Reference*.

4.7 Ethernet Interfaces

The MVME4100 provides four 10/100/1000 Mbps full-duplex Ethernet interfaces using the MPC8548E Ethernet Controllers. Two Broadcom BCM5482S PHYs are used. The Ethernet ports on the MPC8548E are configured to operate in RGMII mode. Two Gigabit Ethernet interfaces are routed to front panel RJ-45 connectors with integrated LEDs for speed and activity indication. The other two Gigabit Ethernet interfaces are routed to P2 for rear I/O. For programming information, see *MVME4100 Single Board Computer Programmer's Reference*.

4.8 Local Bus Interface

The MVME4100 uses the MPC8548E Local Bus Controller (LBC) for access to on-board flash and I/O registers. The LBC has programmable timing modes to support devices of different access times, as well as device widths of 8, 16, and 32 bits. The MVME4100 uses the LBC in GPCM mode to interface to two physical banks of on-board flash, an on-board Quad UART (QUART), an MRAM, and on-board 32-bit timers along with control/status registers. Access timing for each device type is programmable and depends on the device timing data found in the VPD during initialization.

A hardware flash bank write protect switch is provided on the MVME4100 to enable write protection of the NOR Flash. Regardless of the state of the software flash write protect bit in the NOR Flash Control/Status register, write protection is enabled when this switch is ON. When this switch is OFF, write protection is controlled by the state of the software flash write protect bits and can only be disabled by clearing this bit in the NOR Flash Control/Status register. Note that the F_WE_HW bit reflects the state of the switch and is only software readable whereas the F_WP_SW bit supports both read and write operations.

The MVME4100 provides a dual boot option for booting from one of two separate boot images in the boot flash bank which are referred to as boot block A and boot block B. Boot blocks A and B are each 1 MB in size and are located at the top (highest address) 2 MB of the boot flash memory space. Block A is located at the highest 1 MB block and block B is the next highest 1 MB block. A flash boot block switch is used to select between boot block A and boot block B. When the switch is OFF, the flash memory map is normal and block A is selected. When the switch is ON, block B is mapped to the highest address. The MAP_SELECT bit in the flash Control/Status register can disable the jumper and restore the memory map to the normal configuration with block A selected.

4.8.1 Flash Memory

The MVME4100 is designed to provide 128 MB of soldered-on NOR flash memory. Two Spansion +3.3 V devices are configured to operate in 16-bit mode to form a 32-bit flash bank. This flash bank is also the boot bank and is connected to LBC Chip Select 0 and 1.

Also included is a second bank of NAND flash, up to 16 GB, connected to LBC Chip Select 2. The VPD flash packet(s) will determine which devices are populated and the size of the devices. Programming details can be found in the *MVME4100 Single Board Computer Programmer's Reference manual*.

4.8.2 NVRAM

The MVME4100 includes one Freescale 512 MB MRAM device connected to the MPC8548E device control bus to provide a non-volatile memory that has unlimited writes, fast access and long term data retention without power. The MRAM device selected is also an extended temperature device with an operating range from -40 °C to 105 °C/-40 °F to +221 °F. The MRAM is organized as 256 K by 16. Refer to the data sheet for additional information.

4.8.3 Quad UART (QUART)

The MVME4100 contains one Quad UART device connected to the MPC8548E device control bus to provide additional asynchronous serial ports. The Quad UART provides four asynchronous serial ports which are routed to the P2 connector. The TTL-level signals of RX, TX, CTS, and RTS from each port are routed through on-board RS-232 drivers and receivers to the P2 connector where the signals can be picked up by a transition module. The reference clock frequency for the QUART is 1.8432 MHz. All UART ports are capable of signaling at up to 115 Kbaud. Refer to the ST16C554D data sheet for additional details and/or programming information.

4.8.4 Control and Timers PLD

The MVME4100 Control and Timers PLD resides on the local bus. The Control and Timers PLD provides the following functions on the board:

- Local bus address latch
- Chip selects for flash banks, MRAM, and Quad UART
- System control and status registers
- Four 32-bit tick timers
- Watch Dog Timer
- RTC 1 MHz reference clock

4.9 DUART Interface

The MVME4100 provides a front access asynchronous serial port interface using Serial Port 0 from the MPC8548E DUART. The TTL-level signals SIN, SOUT, RTS and CTS from Serial Port 0 are routed through on-board RS-232 drivers and receivers to the mini DB-9 front panel connector.

4.10 PCI-X Port

The PCI-X port on the MPC8548E connects to the Tsi148 VMEbus interface and two PCI-X to PCI-X bridges, PLX PCI6520. The main PCI bus can be configured for 100 MHz PCI-X or 66 MHz PCI operation.

The secondary side of the first bridge connects to the two PMC sites and is configured dynamically, with onboard logic, to operate in 33/66 MHz PCI or 66/100 MHz PCI-X mode depending on the PMCs installed. The secondary side of the second bridge connects to the USB controller and is configured for 33 MHz PCI mode since the USB controller is only 33 MHz capable.

4.10.1 Tsi148 VME Controller

The VMEbus interface for the MVME4100 is provided by the Tsi148 VMEbus controller. The Tsi148 provides the required VME, VME extensions, and 2eSST functions. TI SN74VMEH22501 transceivers are used to buffer the VME signals between the Tsi148 and the VME backplane. Refer to the Tsi148 user's manual for additional details and/or programming information.

4.10.2 USB

The NEC uPD720101 USB 2.0 Host Controller provides USB ports with integrated transceivers for connectivity with any USB compliant device or hub. USB channel 1 is routed to a single USB connector located at the front panel. DC power to the front panel USB port is supplied via a USB power switch which provides soft-start, current limiting, over current detection, and power enable for port 1. Refer to the uPD720101 data sheet for additional details and/or programming information.

4.11 XMC Expansion

The MVME4100 provides an additional XMC/PMC module capability through the use of a 78-pin stacking connector. This connector is connected to the PCI Express port on the processor. Up to four additional XMC/PMC modules may be added by using two expansion boards. Refer to the XMCspan manual for additional details and/or programming information.

4.12 Power Supplies

The MVME4100 on-board voltages are generated using Linear Tech LTC3828 dual output two phase controllers and LTC3416 single output controllers. The following sections detail the MVME4100 power requirements.

4.12.1 Power Sequencing

In order to meet the power sequencing requirements of the various components on the MVME4100, the power supply controllers implement voltage tracking which allows the power supply outputs to track each other coincidentally during power up and power down. The +3.3 V supply output is used as the tracking reference. All supply outputs will reach their final values within 20 milliseconds during power up.

4.12.2 Power Supply Monitor

Logic is provided on-board to monitor the PGOOD signal from the LTC3828 and LTC3416 regulators to determine if the power supply outputs are within tolerance. If any of the power supplies fail, this logic shuts off the power supplies to avoid any component damage. If the +5.0 V power supply is still good during a fail condition, a planar red LED (PWR FAIL D9) is illuminated to indicate the power supply fail condition.

4.12.3 Power Supply Filtering and Fusing

Each of the switching power supply inputs on the MVME4100 will have an inductor to reduce switching noise from being fed back onto the +5.0 V input. The LTC3828 supplies will each have a 10 A fuse to protect the supplies from over-current in case of component failure.

4.13 Clock Distribution

The clock function generates and distributes all of the clocks required for system operation. The PCI-E clocks are generated using an eight output differential clock driver. The PCI/PCI-X bus clocks are generated by the bridge chips from the PCI-E clock. Additional clocks required by individual devices are generated near the devices using individual oscillators. For clock assignments, refer to the *MVME4100 Single Board Computer Programmer's Reference* manual.

4.13.1 System Clock

The system clock is driven by an oscillator. The following table defines the clock frequencies.

Table 4-1 Clock Frequencies

SYCLK	Core	MPX (Platform)	DDR2
66.67 MHz	1.3 GHz	533 MHz	266 MHz

4.13.2 Real Time Clock Input

The RTC clock input is driven by a 1 MHz clock generated by the Control and Timers PLD. This provides a fixed clock reference for the MPC8548E PIC timers which software can use as a known timing reference.

4.13.3 Local Bus Controller Clock Divisor

The Local Bus Controller (LBC) clock output is connected to the PLD but is not used by the internal logic.

4.14 Reset Control Logic

There are multiple sources of reset on the MVME4100. The following sources generate a board level reset:

- Power-up
- Reset switch

- Watchdog timer
- System control register (BRD_RST)
- VMEbus reset

A board level hard reset generates a reset for the entire SBC including the processor, local PCI/PCI-X buses, Ethernet PHYs, serial ports, flash devices, and PLD(s). If the MVME4100 is configured as the VME system controller, the VMEbus and local Tsi148 reset input are also reset.

4.15 Real Time Clock Battery

There is an on-board battery holder that provides easy replacement of a +3.0 V button cell lithium battery (BR2325) which provides back-up power to the on-board Real Time Clock. A battery switching circuit provides automatic switching between the +3.3 V and battery voltages.

4.16 Debug Support

The MVME4100 provides a boundary scan header for boundary scan test access and device programming. The MVME4100 also provides a separate standard COP header for processor COP emulation. A signal from the boundary scan header controls a set of buffers that isolate the MPC8548E onto a single device chain separate from the Boundary Scan chain containing all of the scannable devices. This is a requirement of some COP debuggers to allow emulator support for the MPC8548E.

Transition Module

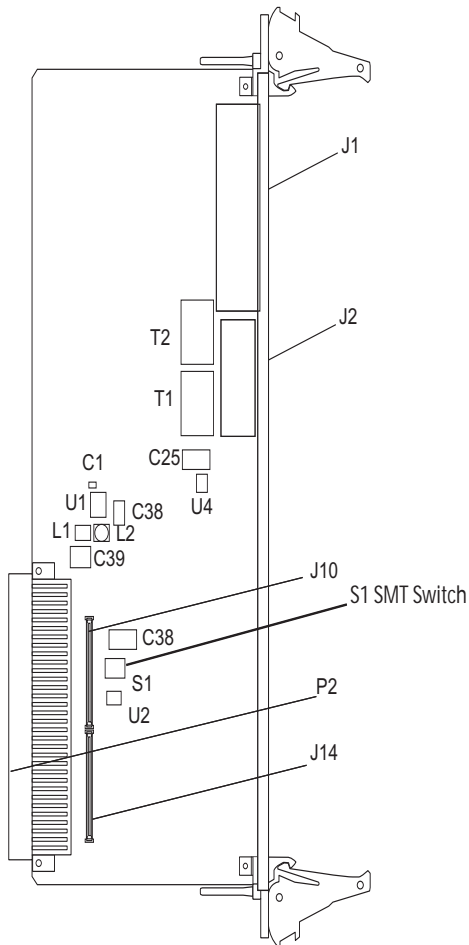
5.1 Overview

This chapter provides information on the MVME7216E transition module's features. It also includes a drawing of the module showing the components and rear panel connectors.

5.2 Transition Module Layout

The following illustration shows the component layout and connectors on the MVME7216E transition module.

Figure 5-1 Component Layout



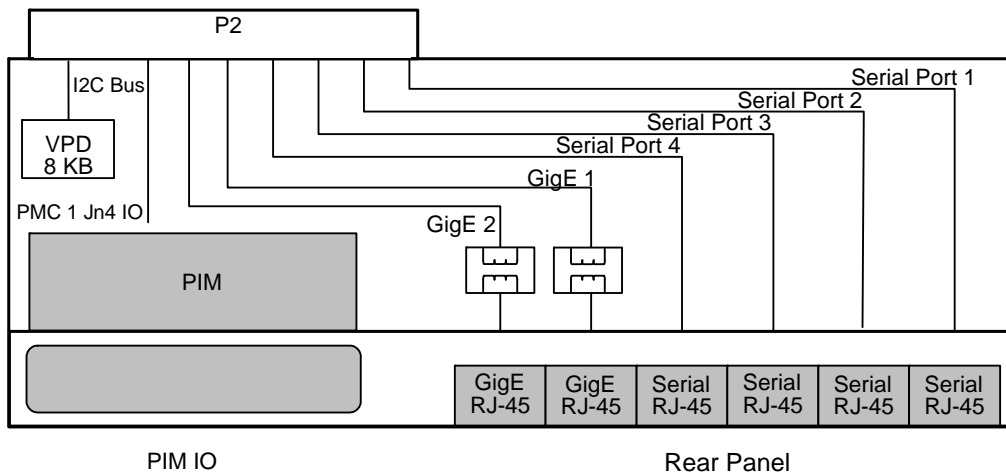
5.3 Features

The MVME7216E transition module is for I/O routing through the rear of a compact VMEbus chassis. It connects directly to the VME backplane in chassis' with an 80 mm deep rear transition area. The MVME7216E is designed for use with the host MVME4100 board. It has the following features:

Table 5-1 Transition Module Features

Function	Features
I/O	One five-row P2 backplane connector for serial and Ethernet I/O passed from the SBC Four RJ-45 connectors for rear panel I/O: four asynchronous serial channels Two RJ-45 connectors with integrated LEDs for rear panel I/O: two 10/100/1000 Ethernet channels One PIM site with rear panel I/O

Figure 5-2 Block Diagram



5.4 SEEPROM Address Switch, S1

A 4-position SMT configuration switch is located on the MVME7216E transition module to set the device address of the RTM serial EEPROM device and to control its write protection (if SW4 is OFF, write is enabled). The switch settings are defined in the next table. To see the switch location, refer to [Figure 5-1 on page 92](#).

Figure 5-3 S1 Switch Positions

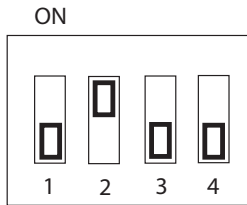


Table 5-2 SEEPROM Address Switch Assignments (RTM)

Position	SW4	SW3	SW2	SW1
Function	WP	A(2)	A(1)	A(0)
Default (OFF)	0	1	1	1

Table 5-3 Switch Settings and Device Addresses

SW4	SW3	SW2	SW1	A(2:0)	Device Address
OFF	ON	ON	ON	000	\$A0
OFF	ON	ON	OFF	001	\$A2
OFF	ON	OFF	ON	010	\$A4
OFF	ON	OFF	OFF	011	\$A6
OFF	OFF	ON	ON	100	\$A8
OFF	OFF	ON	OFF	101	\$AA (default)
OFF	OFF	OFF	ON	110	\$AC
OFF	OFF	OFF	OFF	111	\$AE

5.5 Rear Panel Connectors

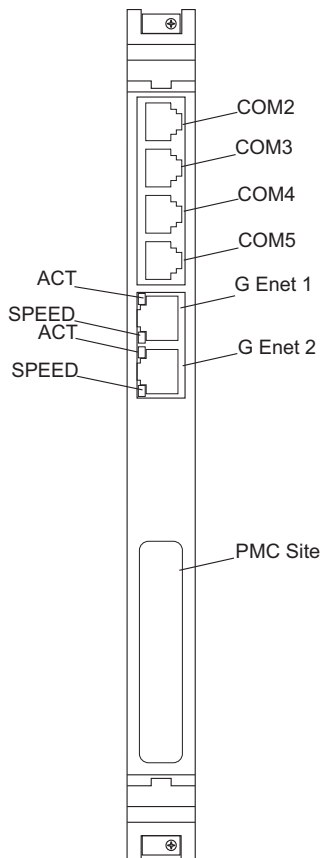
The MVME7216E transition module provides the following connectors. All connectors use standard pin assignments in compliance with the VMEbus specifications.

Table 5-4 Transition Module Connectors

Connector	Function
J1A, J1B, J1C, J1D	COM port connectors
J2A	10/100/1000Mb/s Ethernet connector
J2B	10/100/1000Mb/s Ethernet connector
J10	PIM power/ground
J14	PIM I/O
P2	VME backplane connector

PMC I/O (PIM) connector J10 routes only power and ground from VME P2 connector. There are no host I/O signals on this connector. The MVME4100 routes PMC I/O from J14 of PMC Slot 1 to VME P2 rows A and C. The MVME7216E routes these signals (pin-for-pin) from VME P2 to PMC I/O module connector J14.

Figure 5-4 Rear Panel Connectors and LEDs



There are two sets of ACT and SPEED LEDs, one set for each Ethernet connector. They are described in the next table.

Table 5-5 Transition Module LEDs

LED	Function
ACT	Activity for Ethernet or Gigabit E Ethernet connector
SPEED	10/100/1000Mb/s of Ethernet connectors

5.5.1 MVME7216E PMC I/O Module (PIM) Connectors (J10, J14)

PMC Host I/O connector J10 routes only power and ground from VME P2. There are no Host I/O signals on this connector. The MVME4100 routes PMC I/O from J14 of PMC Slot 1 to VME P2 rows A and C. The MVME7216E routes these signals (pin-for-pin) from VME P2 to PMC I/O Module connector J14. See [Table 5-6](#) and [Table 3-8](#) for the pin assignments.

Table 5-6 MVME721 Host I/O Connector (J10) Pin Assignments

Pin	Signal	Signal	Pin
1	No Connect	No Connect	2
3	No Connect	No Connect	4
5	+5V	No Connect	6
7	No Connect	No Connect	8
9	No Connect	+3.3V	10
11	No Connect	No Connect	12
13	GND	No Connect	14
15	No Connect	No Connect	16
17	No Connect	GND	18
19	No Connect	No Connect	20
21	+5V	No Connect	22
23	No Connect	No Connect	24
25	No Connect	+3.3V	26
27	No Connect	No Connect	28

Table 5-6 MVME721 Host I/O Connector (J10) Pin Assignments (continued)

Pin	Signal	Signal	Pin
29	GND	No Connect	30
31	No Connect	No Connect	32
33	No Connect	GND	34
35	No Connect	No Connect	36
37	+5V	No Connect	38
39	No Connect	No Connect	40
41	No Connect	+3.3V	42
43	No Connect	No Connect	44
45	GND	No Connect	46
47	No Connect	No Connect	48
49	No Connect	GND	50
51	No Connect	No Connect	52
53	+5V	No Connect	54
55	No Connect	No Connect	56
57	No Connect	+3.3V	58
59	No Connect	No Connect	60
61	No Connect	No Connect	62
63	No Connect	No Connect	64

5.5.2 Ethernet Connectors (GIGE/J41B, GIGE/J2B,GIGE/J2A)

The MVME4100 routes two 10/100/1000Mb/s full duplex Ethernet interfaces to the VMEbus P2 connector. The MVME7216E routes these from the P2 connector to the RJ-45 connectors on RTM panel. These connectors include integrated LEDs for speed and activity indication. The pin assignments for these connectors are as follows:

Table 5-7 Ethernet Connectors Pin Assignment

Pin #	Signal	1000 Mb/s	10/100 Mb/s
1	MDIO0+	_DA+	TD+
2	MDIO0-	_DA-	TD-
3	MDIO1+	_DB+	RD+
4	MDIO1-	_DC+	Not Used
5	MDIO2+	_DC-	Not Used
6	MDIO2-	_DB-	RD-
7	MDIO3+	_DD+	Not Used
8	MDIO3-	_DD-	Not Used

5.5.3 Serial Port Connectors (COM1/J41A, COM2–COM5/J2A-D)

The MVME4100 routes four asynchronous serial port interfaces, SP1 – SP4, to the VMEbus P2 connector. The MVME7216E routes these from the P2 connector to the RJ-45 connectors on RTM panel. The pin assignments for these connectors are as follows:

Table 5-8 COM Port Connector Pin Assignments

Pin	Signal
1	No connect
2	RTS
3	GND
4	TX
5	RX
6	GND

Table 5-8 COM Port Connector Pin Assignments

Pin	Signal
7	CTS
8	No connect

5.6 PMC Input/Output Module

If a PMC Input/output Module (PIM) has already been installed on the MVME7216E, or you are installing a transition module as it has been shipped from the factory, disregard this procedure and refer to *Transition Module on page 48*.

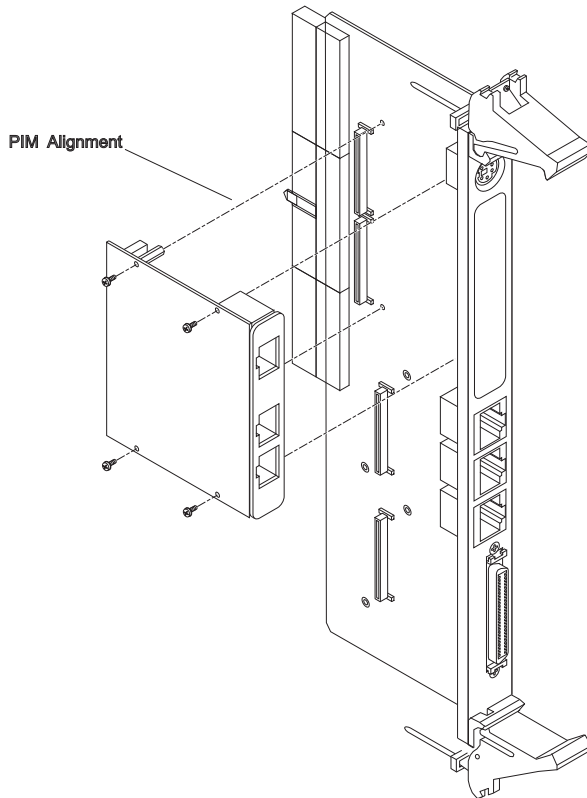
Procedure

For PIM installation, perform the following steps:

1. Attach an ESD strap to your wrist.
2. Attach the other end of the ESD strap to the chassis as a ground.
The ESD strap must be secured to your wrist and to ground throughout the procedure.
3. Carefully remove the transition module from its packaging and lay it flat on a stable surface.
4. Remove the PIM filler from the front panel of the transition module.
5. Slide the face plate (front bezel) of the PIM module into the front panel opening from behind and place the PIM module on top of the transition module, aligned with the appropriate two PIM connectors. The two connectors on the underside of the PIM module should then connect smoothly with the corresponding connectors on the transition module (J10 and J14).
6. Insert the four short Phillips screws, provided with the PIM, through the holes on the bottom side of the transition module into the PIM front bezel and rear standoffs. Tighten the screws.

Refer to the following figure for proper screw/board alignment. The example below may not accurately represent your MVME7216E.

Figure 5-5 Installing the PIM



MOTLoad Firmware

6.1 Overview

The MOTLoad firmware package serves as a board power-up and initialization package, as well as a vehicle from which user applications can be booted. A secondary function of the MOTLoad firmware is to serve in some respects as a test suite providing individual tests for certain devices. This chapter includes a list of standard MOTLoad commands, the default VME and firmware settings that are changeable by the user, remote start, and the alternate boot procedure.

MOTLoad is controlled through an easy-to-use, UNIX-like, command line interface. The MOTLoad software package is similar to many end-user applications designed for the embedded market, such as the real time operating systems currently available.

Refer to the *MOTLoad Firmware Package User's Manual*, listed in [Appendix B, Related Documentation](#), for more details.

6.2 Implementation and Memory Requirements

The implementation of MOTLoad and its memory requirements are product specific. The MVME4100 single-board computer (SBC) is offered with a range of memory (for example, DRAM or flash). Typically, the smallest amount of on-board DRAM that a SBC has is 32 MB. Each supported product line has its own unique MOTLoad binary image(s). Currently the largest MOTLoad compressed image is less than 1 MB in size.

6.3 MOTLoad Commands

MOTLoad supports two types of commands (applications): utilities and tests. Both types of commands are invoked from the MOTLoad command line in a similar fashion. Beyond that, MOTLoad utilities and MOTLoad tests are distinctly different.

6.3.1 Utilities

The definition of a MOTLoad utility application is very broad. Simply stated, it is considered a MOTLoad command if it is not a MOTLoad test. Typically, MOTLoad utility applications are applications that aid the user in some way (that is, they do something useful). From the perspective of MOTLoad, examples of utility applications are: configuration, data/status displays, data manipulation, help routines, data/status monitors, etc.

Operationally, MOTLoad utility applications differ from MOTLoad test applications in several ways:

- Only one utility application operates at any given time (that is, multiple utility applications cannot be executing concurrently).
- Utility applications may interact with the user. Most test applications do not.

6.3.2 Tests

A MOTLoad test application determines whether or not the hardware meets a given standard. Test applications are validation tests. Validation is conformance to a specification. Most MOTLoad tests are designed to directly validate the functionality of a specific SBC subsystem or component. It is possible for a board's component to fail in the user application but pass specification conformance. These tests validate the operation of such SBC modules as: dynamic memory, external cache, NVRAM, real time clock, etc.

All MOTLoad tests are designed to validate functionality with minimum user interaction. Once launched, most MOTLoad tests operate automatically without any user interaction. There are a few tests where the functionality being validated requires user interaction (that is, switch tests, interactive plug-in hardware modules, etc.). Most MOTLoad test results (error-data/status-data) are logged, not printed. Test results are not preserved and therefore not available to user applications subsequent to their execution. All MOTLoad tests/commands have complete and separate descriptions (refer to the *MOTLoad Firmware Package User's Manual* for this information).

All devices that are available to MOTLoad for validation/verification testing are represented by a unique device path string. Most MOTLoad tests require the operator to specify a test device at the MOTLoad command line when invoking the test.

A listing of all device path strings can be displayed through the **devShow** command. If an SBC device does not have a device path string, it is not supported by MOTLoad and cannot be directly tested. There are a few exceptions to the device path string requirement, like testing RAM, which is not considered a true device and can be directly tested without a device path string. Refer to the **devShow** command description page in the *MOTLoad Firmware Package User's Manual*.

Most MOTLoad tests can be organized to execute as a group of related tests (a testSuite) through the use of the `testSuite` command. The expert operator can customize their testing by defining and creating a custom testSuite(s). The list of built-in and user-defined MOTLoad testSuites, and their test contents can be obtained by entering `testSuite -d` at the MOTLoad prompt. All testSuites that are included as part of a product specific MOTLoad firmware package are product specific. For more information, refer to the `testSuite` command description page in the *MOTLoad Firmware Package User's Manual*.

Test results and test status are obtained through the `testStatus`, `errorDisplay`, and `taskActive` commands. Refer to the appropriate command description page in the *MOTLoad Firmware Package User's Manual* for more information.

6.3.3 Command List

The following table provides a list of all current MOTLoad commands. Products supported by MOTLoad may or may not employ the full command set. Typing `help` at the MOTLoad command prompt will display all commands supported by MOTLoad for a given product.

Table 6-1 MOTLoad Commands

Command	Description
as	One-Line Instruction Assembler
bcb bch bcw	Block Compare Byte/Halfword/Word
bdTempShow	Display Current Board Temperature
bfb bfh bfw	Block Fill Byte/Halfword/Word
blkCp	Block Copy
blkFmt	Block Format
blkRd	Block Read
blkShow	Block Show Device Configuration Data
blkVe	Block Verify
blkWr	Block Write

Table 6-1 MOTLoad Commands (continued)

Command	Description
bmb bmh bmw	Block Move Byte/Halfword/Word
br	Assign/Delete/Display User-Program Break-Points
bsb bsh bsw	Block Search Byte/Halfword/Word
bvb bvh bvw	Block Verify Byte/Halfword/Word
cdDir	ISO9660 File System Directory Listing
cdGet	ISO9660 File System File Load
clear	Clear the Specified Status/History Table(s)
cm	Turns on Concurrent Mode
csb csh csw	Calculates a Checksum Specified by Command-line Options
devShow	Display (Show) Device/Node Table
diskBoot	Disk Boot (Direct-Access Mass-Storage Device)
downLoad	Down Load S-Record from Host
ds	One-Line Instruction Disassembler
echo	Echo a Line of Text
elfLoader	ELF Object File Loader
errorDisplay	Display the Contents of the Test Error Status Table
eval	Evaluate Expression
execProgram	Execute Program
fatDir	FAT File System Directory Listing
fatGet	FAT File System File Load

Table 6-1 MOTLoad Commands (continued)

Command	Description
fdShow	Display (Show) File Descriptor
flashLock	Flash Memory Sector Lock
flashProgram	Flash Memory Program
flashShow	Display Flash Memory Device Configuration Data
flashUnlock	Flash Memory Sector Unlock
gd	Go Execute User-Program Direct (Ignore Break-Points)
gevDelete	Global Environment Variable Delete
gevDump	Global Environment Variable(s) Dump (NVRAM Header + Data)
gevEdit	Global Environment Variable Edit
gevInit	Global Environment Variable Area Initialize (NVRAM Header)
gevList	Global Environment Variable Labels (Names) Listing
gevShow	Global Environment Variable Show
gn	Go Execute User-Program to Next Instruction
go	Go Execute User-Program
gt	Go Execute User-Program to Temporary Break-Point
hbd	Display History Buffer
hbx	Execute History Buffer Entry
help	Display Command/Test Help Strings
l2CacheShow	Display state of L2 Cache and L2CR register contents
l3CacheShow	Display state of L3 Cache and L3CR register contents
mdb mdh mdw	Memory Display Bytes/Halfwords/Words
memShow	Display Memory Allocation
mmb mmh mmw	Memory Modify Bytes/Halfwords/Words
mpuFork	Execute program from idle processor

Table 6-1 MOTLoad Commands (continued)

Command	Description
mpuShow	Display multi-processor control structure
mpuStart	Start the other MPU
netBoot	Network Boot (BOOT/TFTP)
netShow	Display Network Interface Configuration Data
netShut	Disable (Shutdown) Network Interface
netStats	Display Network Interface Statistics Data
noCm	Turns off Concurrent Mode
pciDataRd	Read PCI Device Configuration Header Register
pciDataWr	Write PCI Device Configuration Header Register
pciDump	Dump PCI Device Configuration Header Register
pciShow	Display PCI Device Configuration Header Register
pciSpace	Display PCI Device Address Space Allocation
ping	Ping Network Host
portSet	Port Set
portShow	Display Port Device Configuration Data
rd	User Program Register Display
reset	Reset System
rs	User Program Register Set
set	Set Date and Time
sromRead	SROM Read
sromWrite	SROM Write
sta	Symbol Table Attach
stl	Symbol Table Lookup
stop	Stop Date and Time (Power-Save Mode)
taskActive	Display the Contents of the Active Task Table
tc	Trace (Single-Step) User Program
td	Trace (Single-Step) User Program to Address

Table 6-1 MOTLoad Commands (continued)

Command	Description
testDisk	Test Disk
testEnetPtP	Ethernet Point-to-Point
testNvramRd	NVRAM Read
testNvramRdWr	NVRAM Read/Write (Destructive)
testRam	RAM Test (Directory)
testRamAddr	RAM Addressing
testRamAlt	RAM Alternating
testRamBitToggle	RAM Bit Toggle
testRamBounce	RAM Bounce
testRamCodeCopy	RAM Code Copy and Execute
testRamEccMonitor	Monitor for ECC Errors
testRamMarch	RAM March
testRamPatterns	RAM Patterns
testRamPerm	RAM Permutations
testRamQuick	RAM Quick
testRamRandom	RAM Random Data Patterns
testRtcAlarm	RTC Alarm
testRtcReset	RTC Reset
testRtcRollOver	RTC Rollover
testRtcTick	RTC Tick
testSerialExtLoop	Serial External Loopback
testSerialIntLoop	Serial Internal Loopback
testStatus	Display the Contents of the Test Status Table
testSuite	Execute Test Suite
testSuiteMake	Make (Create) Test Suite
testWatchdogTimer	Tests the Accuracy of the Watchdog Timer Device
tftpGet	TFTP Get

Table 6-1 MOTLoad Commands (continued)

Command	Description
tftpPut	TFTP Put
time	Display Date and Time
transparentMode	Transparent Mode (Connect to Host)
tsShow	Display Task Status
upLoad	Up Load Binary Data from Target
version	Display Version String(s)
vmeCfg	Manages user specified VME configuration parameters
vpdDisplay	VPD Display
vpdEdit	VPD Edit
wait	Wait for Test Completion
waitProbe	Wait for I/O Probe to Complete

6.4 Using the Command Line Interface

Interaction with MOTLoad is performed via a command line interface through a serial port on the single board computer, which is connected to a terminal or terminal emulator (for example, Window's Hypercomm). The default MOTLoad serial port settings are: 9600 baud, 8 bits, no parity.

The MOTLoad command line interface is similar to a UNIX command line shell interface. Commands are initiated by entering a valid MOTLoad command (a text string) at the MOTLoad command line prompt and pressing the carriage-return key to signify the end of input. MOTLoad then performs the specified action. An example of a MOTLoad command line prompt is shown below. The MOTLoad prompt changes according to what product it is used on (for example, MVME6100, MVME3100, MVME4100).

Example:

```
MVME4100>
```

If an invalid MOTLoad command is entered at the MOTLoad command line prompt, MOTLoad displays a message that the command was not found.

Example:

```
MVME4100> mytest
```

```
"mytest" not found
```

```
MVME4100>
```

If the user enters a partial MOTLoad command string that can be resolved to a unique valid MOTLoad command and presses the carriage-return key, the command is executed as if the entire command string had been entered. This feature is a user-input shortcut that minimizes the required amount of command line input. MOTLoad is an ever changing firmware package, so user-input shortcuts may change as command additions are made.

Example:

```
MVME4100>[ver]sion
```

```
Copyright: Motorola Inc.1999-2005, All Rights Reserved
```

```
MOTLoad RTOS Version 2.0, PAL Version 1.0 RM01
```

```
Mon Aug 29 15:24:13 MST 2005
```

```
MVME4100>
```

Example:

```
MVME4100> ver
```

```
Copyright: Motorola Inc.1999-2005, All Rights Reserved
```

```
MOTLoad RTOS Version 2.0, PAL Version 1.0 RM01
```

```
Mon Aug 29 15:24:13 MST 2005
```

```
MVME4100>
```

If the partial command string cannot be resolved to a single unique command, MOTLoad informs the user that the command was ambiguous.

Example:

```
MVME4100> te
```

```
"te" ambiguous
```

```
MVME4100>
```

6.4.1 Rules

There are a few things to remember when entering a MOTLoad command:

- Multiple commands are permitted on a single command line, provided they are separated by a single semicolon (;).
- Spaces separate the various fields on the command line (command/arguments/options).
- The argument/option identifier character is always preceded by a hyphen (-) character.
- Options are identified by a single character.
- Option arguments immediately follow (no spaces) the option.
- All commands, command options, and device tree strings are case sensitive.

Example:

```
MVME4100> flashProgram -d/dev/flash0 -n00100000
```

For more information on MOTLoad operation and function, refer to the *MOTLoad Firmware Package User's Manual*.

6.4.2 Help

Each MOTLoad firmware package has an extensive, product-specific help facility that can be accessed through the `help` command. The user can enter `help` at the MOTLoad command line to display a complete listing of all available tests and utilities.

Example

```
MVME4100> help
```

For help with a specific test or utility the user can enter the following at the MOTLoad prompt:

```
help <command_name>
```

The `help` command also supports a limited form of pattern matching. Refer to the `help` command page.

Example

```
MVME4100> help testRam
```



```

Usage: testRam [-aPh] [-bPh] [-iPd] [-nPh] [-tPd] [-v]
Description: RAM Test [Directory]
Argument/Option Description
-a Ph: Address to Start (Default = Dynamic Allocation)
-b Ph: Block Size (Default = 16KB)
-i Pd: Iterations (Default = 1)
-n Ph: Number of Bytes (Default = 1MB)
-t Ph: Time Delay Between Blocks in OS Ticks (Default = 1)
-v O : Verbose Output
MVME4100>

```

6.5 Firmware Settings

The following sections provide additional information pertaining to the MVME4100 VME bus interface settings as configured by MOTLoad. A few VME settings are controlled by hardware jumpers while the majority of the VME settings are managed by the firmware command utility `vmeCfg`.



VME settings in MOTLoad are preserved through the use of Global Environment Variables (GEVs). Configuration GEVs are executed only at power-on reset. Therefore, if VME configuration changes are implemented through `vmeCfg`, a board reset must be effected for the changes to be implemented in MOTLoad.

6.5.1 Default VME Settings

As shipped from the factory, the MVME4100 has the following VME configuration programmed via Global Environment Variables (GEVs) for the Tsi148 VME controller. The firmware allows certain VME settings to be changed in order for the user to customize the environment. The following is a description of the default VME settings that are changeable by the user. For more information, refer to the *MOTLoad User's Manual* and *Tundra's Tsi148 User Manual*, listed in [Appendix B, Related Documentation](#).

- MVME4100> `vmeCfg -s -m`

```

Displaying the selected Default VME Setting
- interpreted as follows:
VME PCI Master Enable [Y/N] = Y
MVME4100>

```

The PCI Master is enabled.

- MVME4100> **vmeCfg -s -r234**

```
Displaying the selected Default VME Setting
- interpreted as follows:
VMEbus Master Control Register = 00000003
MVME4100>
```

The VMEbus Master Control Register is set to the default (RESET) condition.

- MVME4100> **vmeCfg -s -r238**

```
Displaying the selected Default VME Setting
- interpreted as follows:
VMEbus Control Register = 00000008
MVME4100>
```

The VMEbus Control Register is set to a Global Timeout of 2048 μ seconds.

- MVME4100> **vmeCfg -s -r414**

```
Displaying the selected Default VME Setting
- interpreted as follows:
CRG Attribute Register = 00000000
CRG Base Address Upper Register = 00000000
CRG Base Address Lower Register = 00000000
MVME4100>
```

The CRG Attribute Register is set to the default (RESET) condition.

- MVME4100> **vmeCfg -s -i0**

```
Displaying the selected Default VME Setting
- interpreted as follows:
Inbound Image 0 Attribute Register = 000227AF
Inbound Image 0 Starting Address Upper Register = 00000000
Inbound Image 0 Starting Address Lower Register = 00000000
Inbound Image 0 Ending Address Upper Register = 00000000
Inbound Image 0 Ending Address Lower Register = 1FFF0000
Inbound Image 0 Translation Offset Upper Register = 00000000
Inbound Image 0 Translation Offset Lower Register = 00000000
MVME4100>
```

Inbound window 0 (ITAT0) is not enabled; Virtual FIFO at 256 bytes, 2eSST timing at SST320, respond to 2eSST, 2eVME, MBLT, and BLT cycles, A32 address space, respond to Supervisor, User, Program, and Data cycles. Image maps from 0x00000000 to 0x1FFF0000 on the VMEbus, translates 1x1 to the PCI-X bus (thus 1x1 to local memory). To enable this window, set bit 31 of ITAT0 to 1.

- MVME4100> **vmeCfg -s -o1**

```

Displaying the selected Default VME Setting
- interpreted as follows:
Outbound Image 1 Attribute Register = 80001462
Outbound Image 1 Starting Address Upper Register = 00000000
Outbound Image 1 Starting Address Lower Register = 91000000
Outbound Image 1 Ending Address Upper Register = 00000000
Outbound Image 1 Ending Address Lower Register = AFFF0000
Outbound Image 1 Translation Offset Upper Register = 00000000
Outbound Image 1 Translation Offset Lower Register = 70000000
Outbound Image 1 2eSST Broadcast Select Register = 00000000
MVME4100>

```

Outbound window 1 (OTAT1) is enabled, 2eSST timing at SST320, transfer mode of 2eSST, A32/D32 Supervisory access. The window accepts transfers on the PCI-X Local Bus from 0x91000000-0xAFFF0000 and translates them onto the VMEbus using an offset of 0x70000000, thus an access to 0x91000000 on the PCI-X Local Bus becomes an access to 0x01000000 on the VMEbus.

- MVME4100> **vmeCfg -s -o2**

```

Displaying the selected Default VME Setting
- interpreted as follows:
Outbound Image 2 Attribute Register = 80001061
Outbound Image 2 Starting Address Upper Register = 00000000
Outbound Image 2 Starting Address Lower Register = B0000000
Outbound Image 2 Ending Address Upper Register = 00000000
Outbound Image 2 Ending Address Lower Register = B0FF0000
Outbound Image 2 Translation Offset Upper Register = 00000000
Outbound Image 2 Translation Offset Lower Register = 40000000
Outbound Image 2 2eSST Broadcast Select Register = 00000000
MVME4100>

```

Outbound window 2 (OTAT2) is enabled, 2eSST timing at SST320, transfer mode of SCT, A24/D32 Supervisory access. The window accepts transfers on the PCI-X Local Bus from 0xB0000000-0xB0FF0000 and translates them onto the VMEbus using an offset of 0x40000000, thus an access to 0xB0000000 on the PCI-X Local Bus becomes an access to 0xF0000000 on the VMEbus.

- MVME4100> **vmeCfg -s -o3**

```
Displaying the selected Default VME Setting
- interpreted as follows:
Outbound Image 3 Attribute Register = 80001061
Outbound Image 3 Starting Address Upper Register = 00000000
Outbound Image 3 Starting Address Lower Register = B3FF0000
Outbound Image 3 Ending Address Upper Register = 00000000
Outbound Image 3 Ending Address Lower Register = B3FF0000
Outbound Image 3 Translation Offset Upper Register = 00000000
Outbound Image 3 Translation Offset Lower Register = 4C000000
Outbound Image 3 2eSST Broadcast Select Register = 00000000
MVME4100>
```

Outbound window 3 (OTAT3) is enabled, 2eSST timing at SST320, transfer mode of SCT, A16/D32 Supervisory access. The window accepts transfers on the PCI-X Local Bus from 0xB3FF0000-0xB3FF0000 and translates them onto the VMEbus using an offset of 0x4C000000, thus an access to 0xB3FF0000 on the PCI-X Local Bus becomes an access to 0xFFFF0000 on the VMEbus.

- MVME4100> **vmeCfg -s -o7**

```
Displaying the selected Default VME Setting
- interpreted as follows:
Outbound Image 7 Attribute Register = 80001065
Outbound Image 7 Starting Address Upper Register = 00000000
Outbound Image 7 Starting Address Lower Register = B1000000
Outbound Image 7 Ending Address Upper Register = 00000000
Outbound Image 7 Ending Address Lower Register = B1FF0000
```

```

Outbound Image 7 Translation Offset Upper Register = 00000000
Outbound Image 7 Translation Offset Lower Register = 4F000000
Outbound Image 7 2eSST Broadcast Select Register = 00000000
MVME4100>

```

Outbound window 7 (OTAT7) is enabled, 2eSST timing at SST320, transfer mode of SCT, CR/CSR Supervisory access. The window accepts transfers on the PCI-X Local Bus from 0xB1000000-0xB1FF0000 and translates them onto the VMEbus using an offset of 0x4F000000, thus an access to 0xB1000000 on the PCI-X Local Bus becomes an access to 0x00000000 on the VMEbus.

6.5.2 Control Register/Control Status Register Settings

The CR/CSR base address is initialized to the appropriate setting based on the Geographical address; that is, the VME slot number. See the VME64 Specification and the VME64 Extensions for details. As a result, a 512 KB CR/CSR area can be accessed from the VMEbus using the CR/CSR AM code.

6.5.3 Displaying VME Settings

To display the changeable VME setting, type the following at the firmware prompt:

- To display Master Enable state:
`vmeCfgr -s -m`
- To display selected Inbound Window state:
`vmeCfgr -s -i(0 - 7)`
- To display selected Outbound Window state:
`vmeCfgr -s -o(0 - 7)`
- To display Master Control Register state:
`vmeCfgr -s -r234`
- To display Miscellaneous Control Register state:
`vmeCfgr -s -r238`
- To display CRG Attribute Register state:
`vmeCfgr -s -r414`

6.5.4 Editing VME Settings

To edit the changeable VME setting, type the following at the firmware prompt:

- Edits Master Enable state:
`vmeCfg -e -m`
- Edits selected Inbound Window state:
`vmeCfg -e -i(0 - 7)`
- Edits selected Outbound Window state:
`vmeCfg -e -o(0 - 7)`
- Edits Master Control Register state:
`vmeCfg -e -r234`
- Edits Control Register state:
`vmeCfg -e -r238`
- Edits CRG Attribute Register state:
`vmeCfg -e -r414`

6.5.5 Deleting VME Settings

To delete the changeable VME setting (restore default value), type the following at the firmware prompt:

- Deletes Master Enable state:
`vmeCfg -d -m`
- Deletes selected Inbound Window state:
`vmeCfg -d -i(0 - 7)`
- Deletes selected Outbound Window state:
`vmeCfg -d -o(0 - 7)`
- Deletes Master Control Register state:
`vmeCfg -d -r234`
- Deletes Control Register state:
`vmeCfg -d -r238`
- Deletes CRG Attribute Register state:
`vmeCfg -d -r414`

6.5.6 Restoring Default VME Settings

To restore all of the changeable VME setting back to their default settings, type the following at the firmware prompt:

```
vmeCfG -z
```

6.6 Remote Start

As described in the *MOTLoad Firmware Package User's Manual*, listed in [Appendix B, Related Documentation](#), remote start allows the user to obtain information about the target board, download code and/or data, modify memory on the target, and execute a downloaded program. These transactions occur across the VMEbus in the case of the MVME4100. MOTLoad uses one of four mailboxes in the Tsi148 VME controller as the inter-board communication address (IBCA) between the host and the target.

CR/CSR slave addresses configured by MOTLoad are assigned according to the installation slot in the backplane, as indicated by the *VME64 Specification*. For reference, the following values are provided:

CS/CSR Starting Address	Slot Position
1	0x0008.0000
2	0x0010.0000
3	0x0018.0000
4	0x0020.0000
5	0x0028.0000
6	0x0030.0000
7	0x0038.0000
8	0x0040.0000
9	0x0048.0000
A	0x0050.0000
B	0x0058.0000
C	0x0060.0000

For further details on CR/CSR space, please refer to the *VME64 Specification*, listed in [Appendix B, Related Documentation](#).

The MVME4100 uses a TS148 for its PCI/X-to-VME bus bridge. The offsets of the mailboxes in the TS148 are defined in the *TS148 VMEBus PCI/X-to-VME User Manual*, listed in [Appendix B, Related Documentation](#), but are noted here for reference:

Mailbox 0 is at offset 7f610 in the CR/CSR space

Mailbox 1 is at offset 7f614 in the CR/CSR space

Mailbox 2 is at offset 7f618 in the CR/CSR space

Mailbox 3 is at offset 7f61C in the CR/CSR space

The selection of the mailbox used by remote start on an individual MVME4100 is determined by the setting of a global environment variable (GEV). The default mailbox is zero. Another GEV controls whether remote start is enabled (default) or disabled. Refer to the *Remote Start* appendix in the *MOTLoad Firmware Package User's Manual* for remote start GEV definitions.

The MVME4100's IBCA needs to be mapped appropriately through the master's VMEbus bridge. For example, to use remote start using mailbox 0 on an MVME4100 installed in slot 5, the master would need a mapping to support reads and writes of address 0x002ff610 in VME CR/CSR space (0x280000 + 0x7f610).

6.7 Boot Images

Valid boot images whether POST, USER, or Alternate MOTLoad, are located on 1 MB boundaries within the upper 8 MB of flash. The image may exceed 1 MB in size. An image is determined valid through the presence of two "valid image keys" and other sanity checks. A valid boot image begins with a structure as defined in the following table:

Name	Type	Size	Notes
UserDefined	unsigned integer	8	User defined
ImageKey 1	unsigned integer	1	0x414c5420
ImageKey 2	unsigned integer	1	0x424f4f54
ImageChecksum	unsigned integer	1	Image checksum
ImageSize	unsigned integer	1	Must be a multiple of 4
ImageName	unsigned character	20	User defined

Name	Type	Size	Notes
ImageRamAddress	unsigned integer	1	RAM address
ImageOffset	unsigned integer	1	Offset from header start to entry
ImageFlags	unsigned integer	1	Refer to Image Flags on page 122
ImageVersion	unsigned integer	1	User defined
Reserved	unsigned integer	8	Reserved for expansion

6.7.1 Checksum Algorithm

The checksum algorithm is a simple unsigned word add of each word (4 byte) location in the image. The image must be a multiple of 4 bytes in length (word-aligned). The content of the checksum location in the header is not part of the checksum calculation. The calculation assumes the location to be zero. The algorithm is implemented by the MOTLoad command `csUserAltBoot` or by using the following code:

```

Unsigned int checksum(
    Unsigned int *startPtr, /* starting address */
    Unsigned int endPtr /* ending address */
) {
    unsigned int checksum=0;
    while (startPtr < endPtr) {
        checksum += *startPtr;
        startPtr++;
    }
    return(checksum);
}

```

6.7.2 Image Flags

The image flags of the header define various bit options that control how the image will be executed.

Table 6-2 MOTLoad Image Flags

Name	Value	Interpretation
COPY_TO_RAM	0x00000001	Copy image to RAM at ImageRamAddress before execution
IMAGE_MCG	0x00000002	Alternate MOTLoad image
IMAGE_POST	0x00000004	POST image
DONT_AUTO_RUN	0x00000008	Image not to be executed

- **COPY_TO_RAM**
If set, this flag indicates that the image is to be copied to RAM at the address specified in the header before control is passed. If not set, the image will be executed in flash. In both instances, control will be passed at the image offset specified in the header from the base of the image.
- **IMAGE_MCG**
If set, this flag defines the image as being an Alternate MOTLoad, as opposed to USER, image. This bit should not be set by developers of alternate boot images.
- **IMAGE_POST**
If set, this flag defines the image as being a power-on self-test image. This bit flag is used to indicate that the image is a diagnostic and should be run prior to running either USER or MCG boot images. POST images are expected, but not required, to return to the boot block code upon completion.
- **DONT_AUTO_RUN**
If set, this flag indicates that the image is not to be selected for automatic execution. A user, through the interactive command facility, may specify the image to be executed.



MOTLoad currently uses an Image Flag value of 0x3, which identifies itself as an Alternate MOTLoad image that executes from RAM. MOTLoad currently does not support execution from flash.

6.7.3 User Images

These images are user-developer boot code; for example, a VxWorks bootrom image. Such images may expect the system software state to be as follows upon entry:

- The MMU is disabled.
- L1 instruction cache has been initialized and is enabled.
- L1 data cache has been initialized (invalidated) and is disabled.
- L2 cache is disabled.
- L3 cache is disabled.
- RAM has been initialized and is mapped starting at CPU address 0.
- If RAM ECC or parity is supported, RAM has been scrubbed of ECC or parity errors.
- The active flash bank (boot) is mapped from the upper end of the address space.
- If specified by `COPY_TO_RAM`, the image has been copied to RAM at the address specified by `ImageRamAddress`.
- CPU register R1 (the stack pointer) has been initialized to a value near the end of RAM.
- CPU register R3 is added to the following structure:

```
typedef struct altBootData {
    unsigned int ramSize; /* board's RAM size in MB */
    void flashPtr; /* ptr to this image in flash */
    char boardType[16]; /* name string, eg MVME4100 */
    void globalData; /* 16K, zeroed, user defined */
    unsigned int reserved[12];
} altBootData_t;
```

6.7.4 Alternate Boot Data Structure

The `globalData` field of the alternate boot data structure points to an area of RAM which was initialized to zeroes by the boot loader. This area of RAM is not cleared by the boot loader after execution of a POST image, or other alternate boot image, is executed. It is intended to provide a user a mechanism to pass POST image results to subsequent boot images.

The boot loader performs no other initialization of the board than that specified prior to the transfer of control to either a POST, USER, or Alternate MOTLoad image. Alternate boot images need to initialize the board to whatever state the image may further require for its execution.

POST images are expected, but not required, to return to the boot loader. Upon return, the boot loader proceeds with the scan for an executable alternate boot image. POST images that return control to the boot loader must ensure that upon return, the state of the board is consistent with the state that the board was in at POST entry. USER images should not return control to the boot loader.

6.7.5 Alternate Boot Images and Safe Start

Some later versions of MOTLoad support alternate boot images and a safe start recovery procedure. If safe start is available on the MVME4100, alternate boot images are supported. With alternate boot image support, the boot loader code in the boot block examines the upper 8 MB of the flash bank for alternate boot images. If an image is found, control is passed to the image.

6.7.6 Boot Image Firmware Scan

The scan is performed by examining each 1 MB boundary for a defined set of flags that identify the image as being POST, USER, or Alternate MOTLoad. POST is a user-developed Power On Self Test that would perform a set of diagnostics and then return to the boot loader image. USER would be a boot image, such as the VxWorks bootrom, which would perform board initialization. A bootable VxWorks kernel would also be a USER image. Boot images are not restricted to being 1 MB or less in size; however, they must begin on a 1 MB boundary within the 8 MB of the scanned flash bank. The flash bank structure is shown below:

Address	Usage
0xFFFF0000 to 0xFFFFFFFF	Boot block. Recovery code.
0xFFE00000 to 0xFFFF0000	Backup MOTLoad image
0xFFD00000 to 0xFFDFFFFFF	First possible alternate image
0xFFC00000 to 0xFFCFFFFFF	Second possible alternate image
....	Alternate boot images
0xFF899999 to 0xFF8FFFFFF	Bottom of flash (flash size varies per product)

The scan is performed downwards beginning at the location of the first possible alternate image and searches first for POST, then USER, and finally Alternate MOTLoad images. In the case of multiple images of the same type, control is passed to the first image encountered in the scan.

Safe Start, whether invoked by hitting **ESC** on the console within the first five seconds following power-on reset or by setting the Safe Start jumper, interrupts the scan process. The user may then display the available boot images and select the desired image. The feature is provided to enable recovery in cases when the programmed Alternate Boot Image is no longer desired. The following output is an example of an interactive Safe Start:

```
ABCDEInteractive Boot Mode Entered
boot> ?
Interactive boot commands:
'd':show directory of alternate boot images
'c':continue with normal startup
'q':quit without executing any alternate boot image
'r [address]':execute specified (or default) alternate image
'p [address]':execute specified (or default) POST image
'?:this help screen
'h':this help screen
boot> d
Addr FFE00000 Size 00100000 Flags 00000003 Name: MOTLoad
Addr FFD00000 Size 00100000 Flags 00000003 Name: MOTLoad
boot> c
NOPQRSTUVWXYZabcdefghijklmnopqrsstuvwxyzWYZ
Copyright Motorola Inc. 1999-2004, All Rights Reserved
MOTLoad RTOS Version 2.0, PAL Version 0.b EA02

...

MVME4100>
```

6.8 Startup Sequence

The firmware startup sequence following reset of MOTLoad is to:

- Initialize cache, MMU, FPU, and other CPU internal items
- Initialize the memory controller

- Search the active flash bank, possibly interactively, for a valid Power On Self Test (POST) image. If found, the POST image executes. Once completed, the POST image returns and startup continues.
- Search the active flash bank, possibly interactively, for a valid USER boot image. If found, the USER boot image executes. A return to the boot block code is not anticipated.
- If a valid USER boot image is not found, search the active flash bank, possibly interactively, for a valid Alternate MOTLoad boot image; anticipated to be an upgrade of alternate MOTLoad firmware. If found, the image is executed. A return to the boot block code is not anticipated.
- Execute the recovery image of the firmware in the boot block if no valid USER or alternate MOTLoad image is found.

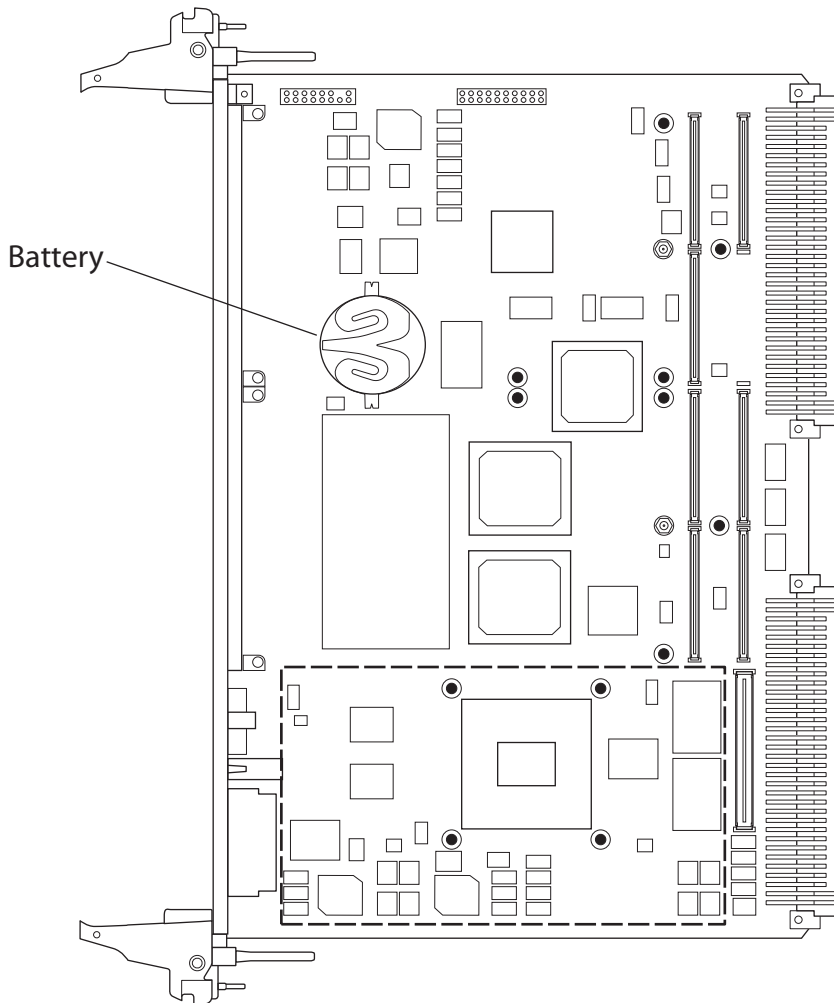
During startup, interactive mode may be entered by either setting the Safe Start jumper/switch or by sending an **<ESC>** to the console serial port within five seconds of the board reset. During interactive mode, the user has the option to display locations at which valid boot images were discovered, specify which discovered image is to be executed, or specify that the recovery image in the boot block of the active flash bank is to be executed.

Battery Exchange

A.1 Battery Exchange

Some blade variants contain an on-board battery. The battery location is shown in the following figure.

Figure A-1 Battery Location



The battery provides data retention of seven years summing up all periods of actual data use. Emerson therefore assumes that there usually is no need to exchange the battery except, for example, in case of long-term spare part handling.

NOTICE

Board/System Damage

Incorrect exchange of lithium batteries can result in a hazardous explosion.

When exchanging the on-board lithium battery, make sure that the new and the old battery are exactly the same battery models.

If the respective battery model is not available, contact your local Emerson sales representative for the availability of alternative, officially approved battery models.

Data Loss

Exchanging the battery can result in loss of time settings. Backup power prevents the loss of data during exchange.

Quickly replacing the battery may save time settings.

Data Loss

If the battery has low or insufficient power the RTC is initialized.

Exchange the battery before seven years of actual battery use have elapsed.

PCB and Battery Holder Damage

Removing the battery with a screw driver may damage the PCB or the battery holder. To prevent damage, do not use a screw driver to remove the battery from its holder.

Exchange Procedure

To exchange the battery, proceed as follows:

1. Remove the old battery.
2. Install the new battery with the plus sign (+) facing up.
3. Dispose of the old battery according to your country's legislation and in an environmentally safe way.

Related Documentation

B.1 Emerson Network Power - Embedded Computing Documents

The Emerson Network Power - Embedded Computing publications listed below are referenced in this manual. You can obtain electronic copies of Emerson Network Power - Embedded Computing publications by contacting your local Emerson sales office. For documentation of final released (GA) products, you can also visit the following website:

www.emersonnetworkpower.com/embeddedcomputing > Solution Services > Technical Documentation Search. This site provides the most up-to-date copies of Emerson Network Power - Embedded Computing product documentation.

Table B-1 Emerson Network Power - Embedded Computing Publications

Document Title	Publication Number
MVME4100 Single Board Computer Programmer's Reference	6806800H19
MOTLoad Firmware Package User's Manual	6806800C24
XMCspan Installation and Use	6806800H03

B.2 Manufacturers' Documents

For additional information, refer to the following table for manufacturers' data sheets or user's manuals. As an additional help, a source for the listed document is provided. Please note that, while these sources have been verified, the information is subject to change without notice.

Table B-2 Manufacturer's Publications

Document Title and Source	Publication Number
<i>Spansion</i>	
S29GL-P MirrorBit™ Flash Family S29GL01GP, S29GL512P, S29GL256P, S29GL128P 1 Gigabit, 512 Megabit, 256 Megabit and 128 Megabit 3.0 Volt-only Page Mode Flash Memory featuring 90 nm MirrorBit Process Technology 27631	Revision A Amendment 11 June 11, 2008

Table B-2 Manufacturer's Publications (continued)

Document Title and Source	Publication Number
Atmel Corporation	
2-Wire Serial EEPROM 32K (4096 x 8), 64K (8192 x 8) AT24C32C, AT24C64C	5174B-SEEPR-12/06
2-Wire Serial EEPROM 512K (65,536 x 8) AT24C512	Rev. 1116K-SEEPR-1/04
NEC Corporation	
Data Sheet μPD720101 USB2.0 Host Controller	S16265EJ3V0DS00 April 2003
Freescale Corporation	
MPC8548E Integrated Host Processor Reference Manual	MPC8548ERM Rev. 2 02/2007
MPC8548E Errata	
MPC8548E Integrated Processor Hardware Specifications	MPC8548EEC Rev. 1 10/2007
Freescale MR2A16A 512 MB MRAM	MR2A16A Rev. 5 9/2007
Texas Instruments	
Data Sheet SN74VMEH22501 8-bit Universal Bus Transceiver and Two 1-bit Bus Transceivers with Split LVTTTL Port, Feedback Path, and 3-state Outputs	SCES357E Revised March 2004
Exar	
ST16C554/554D, ST68C554 Quad UART with 16-Byte FIFO's	Version 4.0.1 June 2006

Table B-2 Manufacturer's Publications (continued)

Document Title and Source	Publication Number
Maxim Integrated Products	
DS1375 Serial Real-Time Clock	REV: 121203
MAX3221E/MAX3223E/MAX3243E \pm 15kV ESD-Protected, 1 μ A, 3.0V to 5.5V, 250kbps, RS-232 Transceivers with AutoShutdown	19-1283 Rev 5 10/03
MAX811/MAX812 4-Pin μ P Voltage Monitors With Manual Reset Input	19-0411 Rev 3 3/99
MAX6649 Digital Temperature Sensor	19-2450 Rev 3 05/07
Tundra Semiconductor Corporation	
Tsi148 PCI/X-to-VME Bus Bridge User Manual	FN 80A3020 MA001_08

Table B-2 Manufacturer's Publications (continued)

Document Title and Source	Publication Number
Broadcom Corporation	
BCM5482S 10/100/1000BASE-T Gigabit Ethernet Transceiver	5482S-DS06-R 2/15/07
PLX Technology	
PCI6520 PCI-X to PCI-X Bridge Databook	Version 2.0

B.3 Related Specifications

For additional information, refer to the following table for related specifications. As an additional help, a source for the listed document is provided. Please note that, while these sources have been verified, the information is subject to change without notice.

Table B-3 Related Specifications

Organization and Standard	Document Title
VITA Standards Organization	
VME64	ANSI/VITA 1-1994
VME64 Extensions	ANSI/VITA 1.1-1997
2eSST Source Synchronous Transfer	ANSI/VITA 1.5-2003
Increased Current Level for 96 pin & 160 pin DIN/IEC Connector Standard	ANSI/VITA 1.7
Processor PMC	ANSI/VITA 32-2003
PCI-X on PMC	ANSI/VITA 39-2003
PMC I/O Module (PIM) Draft Standard	VITA 36 Draft Rev 0.1 July 19, 1999
Universal Serial Bus	
Universal Serial Bus Specification	Revision 2.0 April 27, 2000

Table B-3 Related Specifications (continued)

Organization and Standard	Document Title
PCI Special Interest Group	
PCI Local Bus Specification, Revision 2.2	PCI Rev 2.2 December 18, 1998
PCI-X Electrical and Mechanical Addendum to the PCI Local Bus Specification, Revision 2.0a	PCI-X EM 2.0a August 22, 2003
PCI-X Protocol Addendum to the PCI Local Bus Specification, Revision 2.0a	PCI-X PT 2.0a July 22, 2003
Institute for Electrical and Electronics Engineers, Inc.	
IEEE Standard for a Common Mezzanine Card Family: CMC Family	IEEE Std 1386 - 2001
IEEE Standard Physical and Environmental Layer for PCI Mezzanine Cards (PMC)	IEEE Std 1386.1 - 2001

Related Documentation

Index

A

alternate boot images 124

B

battery exchange 128
board initialization 123
boot code 123
boot images, types 120
bootloader 123

C

checksum 121
command line rules
 MOTLoad 112
command line rules and help 110
comments and suggestions 18
completing the installation 54
compliances 32
contact address 18
control register 119
control status register 119
conventions 16

D

damage reporting 38
default VME settings 113
 delete 118
 display 117
 edit 118
 restore 119
delete VME settings 118
display VME settings 117
disposal of product 32, 38

E

edit VME settings 118
EMC requirements 32
environment customization 113
environmental requirements 32, 38

F

feedback 18
firmware bootloader 123
firmware command utility 113
firmware package help 110

firmware scan 124
firmware startup sequence 125
firmware tests 104
firmware utilities 103
firmware, safe start 124

G

global environment variables 113

H

help command
 MOTLoad 112

I

inspecting shipment 38
installation, completing 54

L

Linux 55
list of commands
 MOTLoad 105
lithium battery, 128

M

MOTLoad
 alternate boot data structure 123
 command characteristics 110
 command line help 112
 command line interface 110
 command line rules 112
 command types 103
 command versus test 103
 commands 105
 described 103
 how employed 103
 image flags 121
 interface 110
 memory requirements 103
 prompt explained 110
 requirements 103
 test applications 104
 test suites 105
 tests described 104
 user images 123
 utilities 103

O

- on-board battery 128
- ordering product 34

P

- PIM installation 100
- PMC 37, 49
- power requirements 38
- product, how to order 34

R

- remote start 119
- replacing the battery 128
- restoring VME settings 119

S

- serial number label 35
- settings, VME 113
- specifications
 - board 39
- standard compliancy 32

- startup overview 37

T

- thermal requirements 38
- transition module
 - PIM installation 100

U

- user images 124

V

- VME configuration 113
- VME settings 113, 119
 - delete 118
 - display 117
 - edit 118
 - restore 119
- vmeCfg 113

X

- XMCspan 37, 52

HOW TO REACH LITERATURE AND TECHNICAL SUPPORT:

Tempe, Arizona, USA
1 800 759 1107
1 602 438 5720

Munich, Germany
+49 89 9608 0

For literature, training, and technical assistance and support programs, visit
www.emersonnetworkpowerembeddedcomputing.com

Emerson Network Power.

The global leader in enabling Business-Critical Continuity™

www.emersonnetworkpowerembeddedcomputing.com

- | | | | |
|--------------------|--------------------------------|-----------------------------|-----------------------------|
| ■ AC Power Systems | ■ Embedded Computing | ■ Outside Plant | ■ Services |
| ■ Connectivity | ■ Embedded Power | ■ Power Switching & Control | ■ Site Monitoring |
| ■ DC Power Systems | ■ Integrated Cabinet Solutions | ■ Precision Cooling | ■ Surge & Signal Protection |

Emerson, Business-Critical Continuity, Emerson Network Power and the Emerson Network Power logo are trademarks and service marks of Emerson Electric Co. All other product or service names are the property of their respective owners.

© 2009 Emerson Electric Co.